

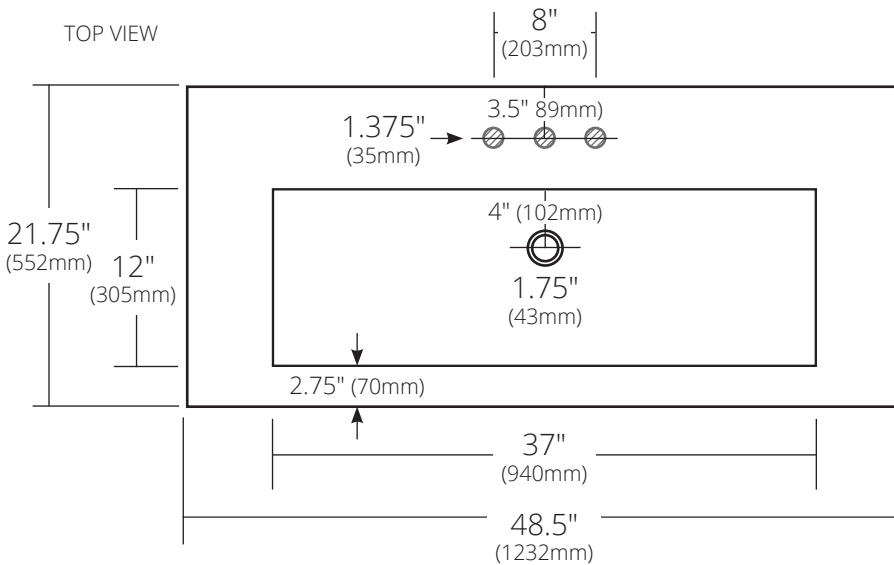
SPECIFICATIONS

48" CAPISTRANO VANITY TOP

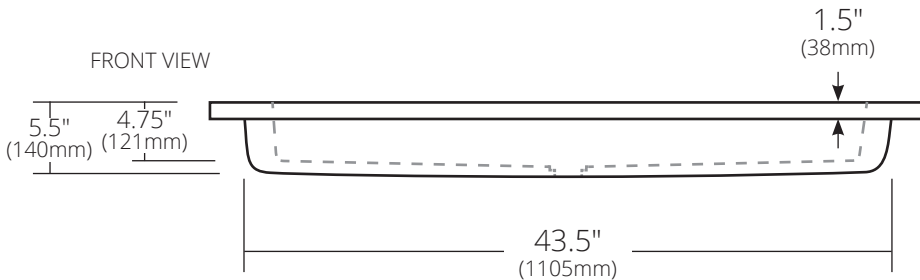
NativeStone® Collection



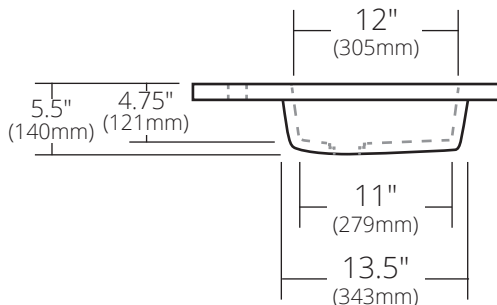
TOP VIEW



FRONT VIEW



SIDE VIEW



8" Faucet Spread

NSVT48-A Ash
NSVT48-C Charcoal
NSVT48-E Earth
NSVT48-P Pearl
NSVT48-S Slate



Single Faucet Hole

NSVT48-A1 Ash
NSVT48-C1 Charcoal
NSVT48-E1 Earth
NSVT48-P1 Pearl
NSVT48-S1 Slate

PRODUCT DETAILS

- 48.5" x 21.75" x 5.5" OD (1232mm x 552mm x 140mm)
- Basin 37" x 12" x 4.75" (940mm x 305mm x 121mm)
- 1.75" (43mm) drain opening
- Pre-drilled for 8" (203mm) faucet spread or single faucet hole
- Handcrafted from sustainable NativeStone
- Sealed with NativeStone Shield™

COORDINATING PRODUCTS

- Drains: DR120, DR130 or DR150

STANDARDS COMPLIANCE

- UPC/cUPC compliant
- **ADA** COMPLIANT

IMPORTANT

Do NOT use tape or other adhesives on NativeStone as it may remove the sealer.

Due to the handcrafted nature of this product, it will vary in finish, texture, and other details. Dimensions may vary up to ¼" (6mm).