

SPECIFICATIONS

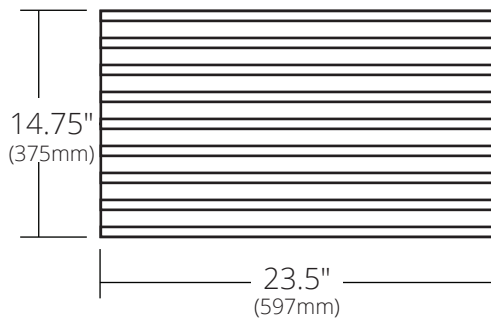
**WINEMAKER 24"  
FLOATING VANITY**

Winemaker Series

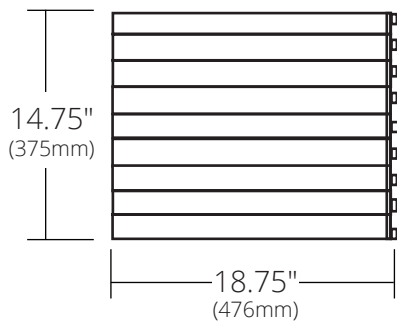


VNM101 Cask Oak (shown)  
VNM108 Charred Oak

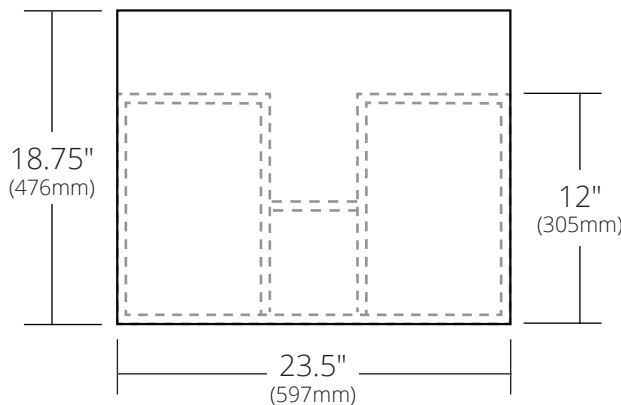
FRONT VIEW



SIDE VIEW



TOP VIEW



**PRODUCT DETAILS**

- 23.5"w x 18.75"d x 14.75"h (597mm x 476mm x 375mm)
- Reclaimed wine-stained oak staves
- Low VOC water-resistant finish
- One full extension, soft-close drawer and U-channel for P-trap
- Access for plumbing underneath

**INSTALLATION**

- Wall Mount (built-in French cleat included)

**COORDINATING PRODUCTS**

- Winemaker Small Mirror
- Combine with NativeStone Trough 2419

**IMPORTANT**

Due to the handcrafted nature of this product, it will vary in finish, texture, and other details. Dimensions may vary up to 1/4" (6mm).