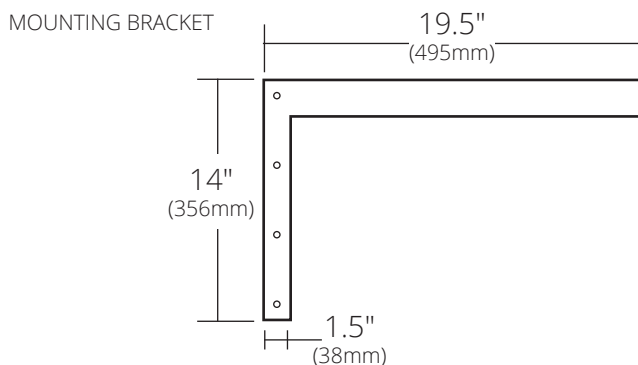
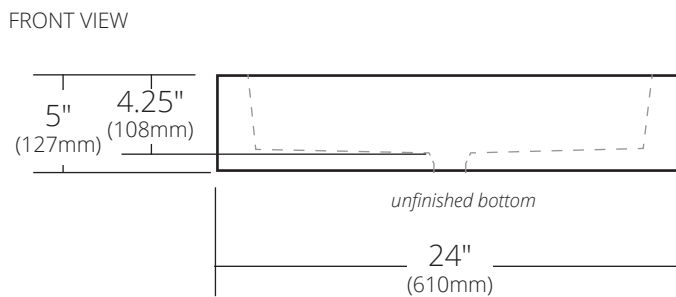
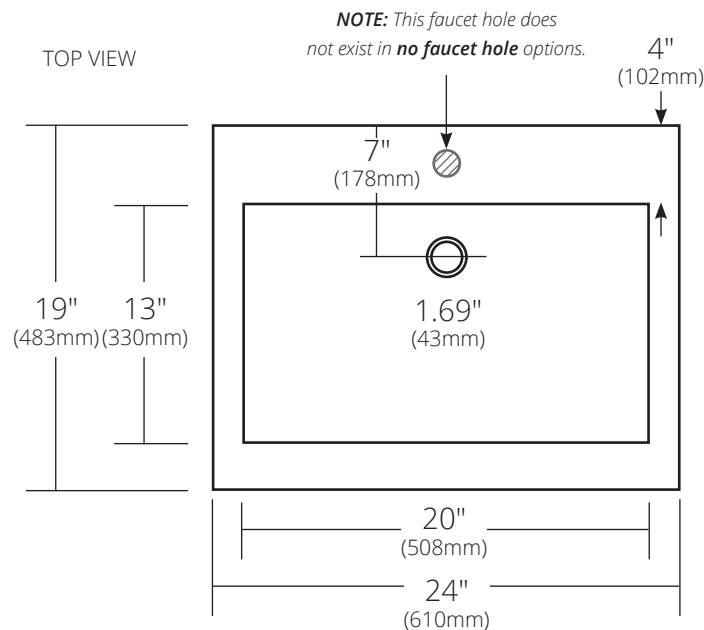


SPECIFICATIONS

**NATOMA 24**

NativeStone® Collection



**Single Faucet Hole**

- NSL2405-A Ash
- NSL2405-C Charcoal
- NSL2405-D Sand
- NSL2405-E Earth
- NSL2405-F Forest\*
- NSL2405-G Sage\*
- NSL2405-O Ocean\*
- NSL2405-P Pearl
- NSL2405-S Slate
- NSL2405-T Terracotta\*

**No Faucet Hole**

- NSL2405-AX Ash
- NSL2405-CX Charcoal
- NSL2405-DX Sand
- NSL2405-EX Earth
- NSL2405-FX Forest\*
- NSL2405-GX Sage\*
- NSL2405-OX Ocean\*
- NSL2405-PX Pearl
- NSL2405-SX Slate
- NSL2405-TX Terracotta\*

\*Made to Order

**PRODUCT DETAILS**

- 24" x 19" x 5" OD (610mm x 483mm x 127mm)
- 20" x 13" x 4.25" ID (508mm x 330mm x 108mm)
- 1.69" (43mm) drain opening for a 1.75" drain
- Includes steel mounting brackets
- Handcrafted from sustainable NativeStone
- Sealed with NativeStone Shield™
- Weight: approx. 55lbs

**INSTALLATION**

- Integral

**COORDINATING PRODUCTS**

- Drains: DR120, DR130 or DR150
- DR560 Decorative P-Trap

**STANDARDS COMPLIANCE**

- UPC/cUPC compliant
- **ADA COMPLIANT**

**IMPORTANT**

Do NOT use tape or other adhesives on NativeStone as it may damage the sealer.

Due to the handcrafted nature of this product, it will vary in finish, texture, and other details. Dimensions may vary up to 1/4" (6mm). We strongly recommend waiting for the actual product before making any installation cuts.