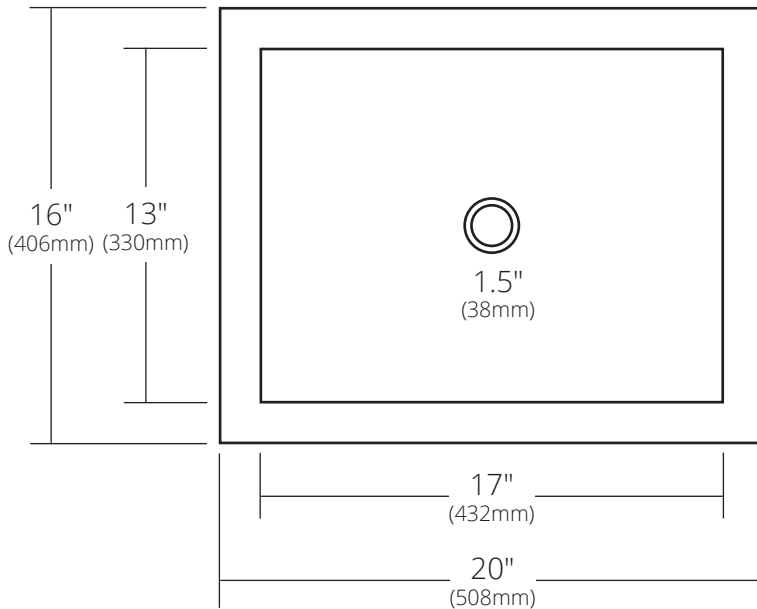


SPECIFICATIONS

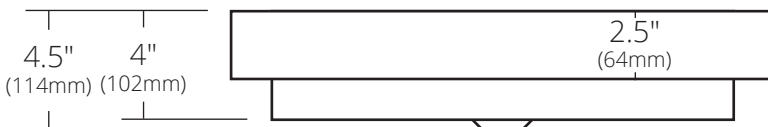
TATRA



TOP VIEW



FRONT VIEW



CPS246 Antique
 CPS546 Brushed Nickel
 CPS846 Polished Nickel

PRODUCT DETAILS

- 20" x 16" x 4.5" OD (508mm x 406mm x 114mm)
- 17" x 13" x 4" ID (432mm x 330mm x 102mm)
- Hand hammered 16 gauge recycled copper
- 1.5" (38mm) drain opening

INSTALLATION

- Drop-In

COORDINATING PRODUCTS

- Drains: DR120, DR130 or DR150
- MetalProtect™ for polished finishes

STANDARDS COMPLIANCE

- UPC/cUPC compliant
- **ADA COMPLIANT**

IMPORTANT

Due to the handcrafted nature of this product, it will vary in finish, texture, hammering, and other details. Dimensions may vary up to 1/4" (6mm). We strongly recommend waiting for the actual product before making any installation cuts.