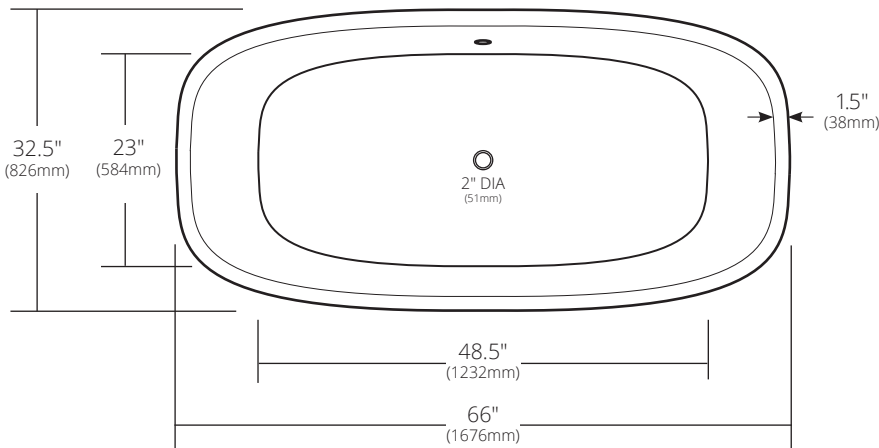


SPECIFICATIONS

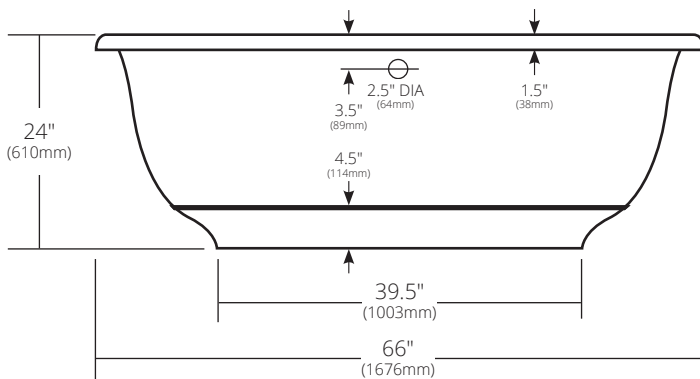
SANTORINI



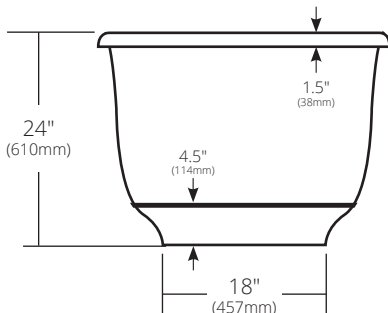
TOP VIEW



SIDE VIEW



END VIEW



CPS942 Antique
 CPS944 Polished Copper
 CPS945 Brushed Nickel

PRODUCT DETAILS

- 66" x 32.5" x 24" OD (1676mm x 826mm x 610mm)
- 63" x 29.5" x 19.5" OD (1600mm x 749mm x 495mm)
- Hand hammered 16 gauge recycled copper
- 2" (51mm) drain opening
- 100lbs (45.3kg)

INSTALLATION

- Freestanding bathtub

COORDINATING PRODUCTS

- Push-to-Seal Bath Waste & Overflow: DR290
- MetalProtect™ for polished finishes

STANDARDS COMPLIANCE

- UPC/cUPC compliant

IMPORTANT

Due to the handcrafted nature of this product, it will vary in finish, texture, hammering, and other details. Dimensions may vary up to ¼" (6mm). We strongly recommend waiting for the actual product before making any installation cuts.