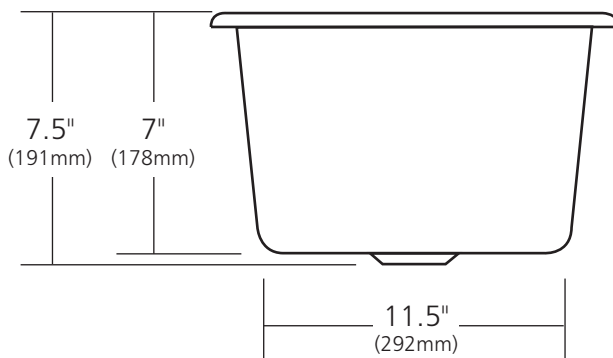
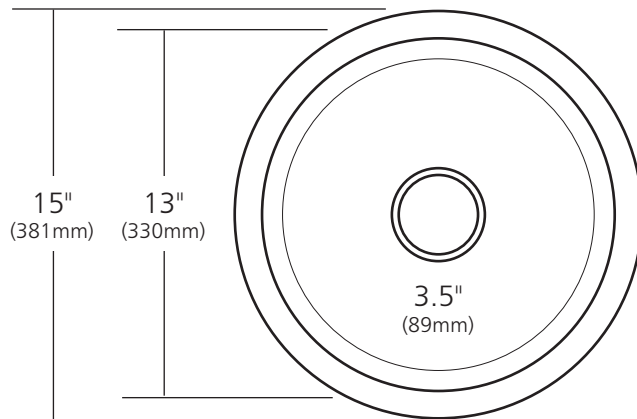


SPECIFICATIONS

PINECONES



CPS249- Antique
CPS549- Brushed Nickel

PRODUCT DETAILS

- 15" x 7.5" OD (381mm x 191mm)
- 13" x 7" ID (330mm x 178mm)
- Hand hammered 16 gauge recycled copper
- 3.5" (89mm) drain opening
- Embossed pinecone pattern
- Dimensions are not exact and may vary $\pm 1/2"$ (13mm)

*This product may be customized.
See nativetrails.net/customization for details.*

INSTALLATION

- Universal Mount

COORDINATING PRODUCTS

- Drains: DR320 or DR340
- Bottom Grid: GR951
- MetalProtect™

STANDARDS COMPLIANCE

- UPC/cUPC compliant

IMPORTANT

Due to the handcrafted nature of this product, it will vary in finish, texture, hammering, and other details. Dimensions may vary up to 1/2" (13mm). We strongly recommend waiting for the actual product before making any installation cuts.