

SPECIFICATIONS

PARAGON



CPK291 Antique
CPK591 Brushed Nickel

PRODUCT DETAILS

- 33" x 22" x 10.5" OD (838mm x 559mm x 267mm)
- 6.5" Apron (165mm) allows for installation in standard cabinet
- 30" x 18" x 10" ID (762mm x 457mm x 254mm)
- Hand hammered 16 gauge recycled copper
- Apron extends 1.5" (38mm) on sides
- 3.5" (89mm) drain opening

INSTALLATION

- Undermount

COORDINATING PRODUCTS

- Drains: DR320 or DR340
- Bottom Grid: GR2917

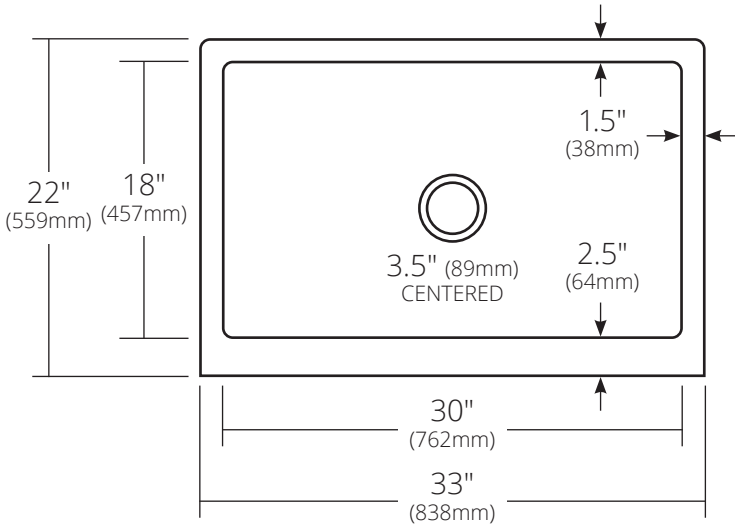
STANDARDS COMPLIANCE

- UPC/cUPC compliant

IMPORTANT

Due to the handcrafted nature of this product, it will vary in finish, texture, hammering, and other details. Dimensions may vary up to 1/4" (6mm). We strongly recommend waiting for the actual product before making any installation cuts.

TOP VIEW



FRONT VIEW



SIDE VIEW

