

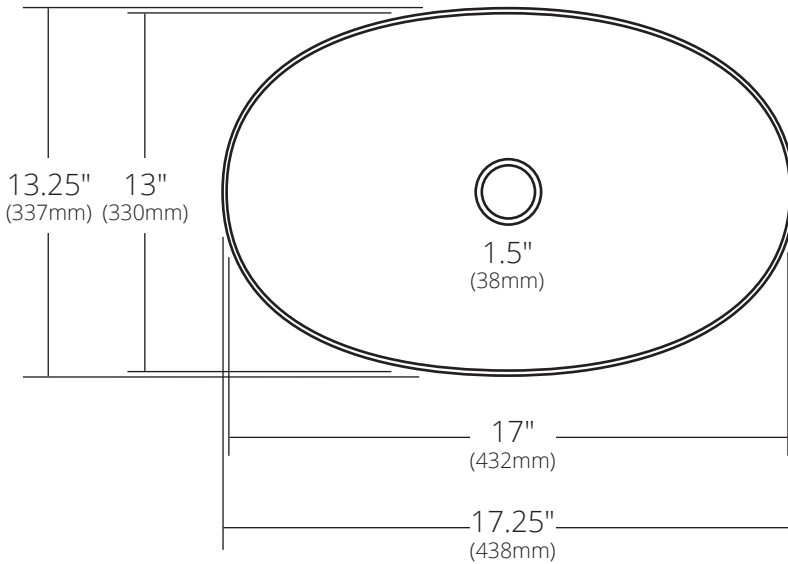
SPECIFICATIONS

**MAESTRO OVAL**

*Maestro Collection*



TOP VIEW



CPS269 Antique  
 CPS369 Tempered  
 CPS569 Brushed Nickel

**PRODUCT DETAILS**

- 17.25" x 13.25" x 6" OD (438mm x 337mm x 152mm)
- 17" x 13" x 5.75" ID (432mm x 330mm x 146mm)
- Hand hammered 15 gauge recycled copper
- 1.5" (38mm) drain opening

**INSTALLATION**

- Vessel

**COORDINATING PRODUCTS**

- Drains: DR120, DR130 or DR150

**STANDARDS COMPLIANCE**

- UPC/cUPC compliant

**IMPORTANT**

Due to the handcrafted nature of this product, it will vary in finish, texture, hammering, and other details. Dimensions may vary up to 1/4" (6mm). We strongly recommend waiting for the actual product before making any installation cuts.

SIDE VIEW

