

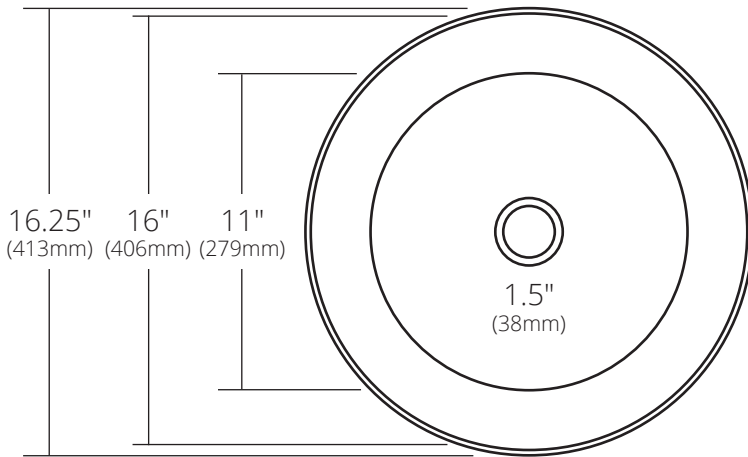
SPECIFICATIONS

MAESTRO BAJO

Maestro Collection



TOP VIEW



CPS271 Antique
 CPS371 Tempered
 CPS571 Brushed Nickel

PRODUCT DETAILS

- 16.25" x 4.75" OD (413mm x 121mm)
- 16" x 4.5" ID (406mm x 114mm)
- Hand hammered 15 gauge recycled copper
- 1.5" (38mm) drain opening

INSTALLATION

- Vessel

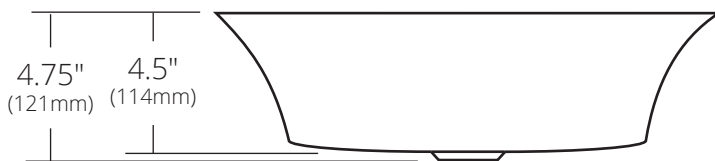
COORDINATING PRODUCTS

- Drains: DR120, DR130 or DR150

STANDARDS COMPLIANCE

- UPC/cUPC compliant

SIDE VIEW



IMPORTANT

Due to the handcrafted nature of this product, it will vary in finish, texture, hammering, and other details. Dimensions may vary up to 1/4" (6mm). We strongly recommend waiting for the actual product before making any installation cuts.