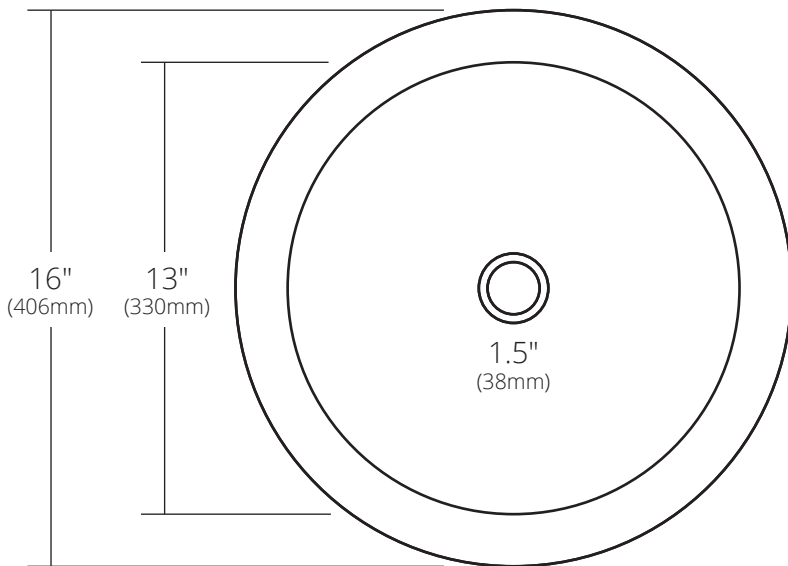


SPECIFICATIONS

LAGUNA



TOP VIEW



CPS255 Antique
CPS555 Brushed Nickel

PRODUCT DETAILS

- 16" x 5" OD (406mm x 127mm)
- 13" x 4.75" ID (330mm x 121mm)
- Hand hammered 16 gauge recycled copper
- 1.5" (38mm) drain opening

INSTALLATION

- Vessel

COORDINATING PRODUCTS

- Drains: DR120, DR130 or DR150

STANDARDS COMPLIANCE

- UPC/cUPC compliant

IMPORTANT

Due to the handcrafted nature of this product, it will vary in finish, texture, hammering, and other details. Dimensions may vary up to 1/4" (6mm). We strongly recommend waiting for the actual product before making any installation cuts.

SIDE VIEW

