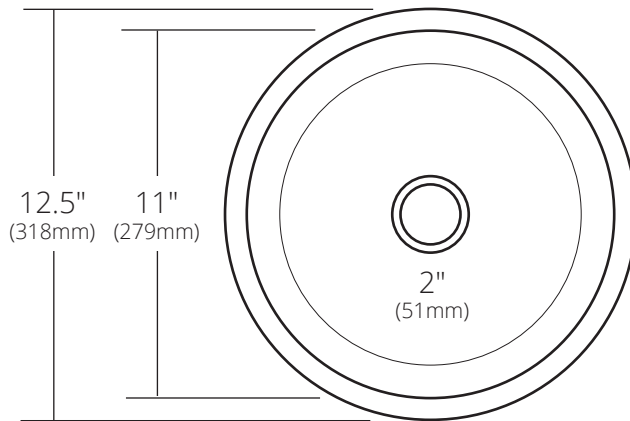


SPECIFICATIONS

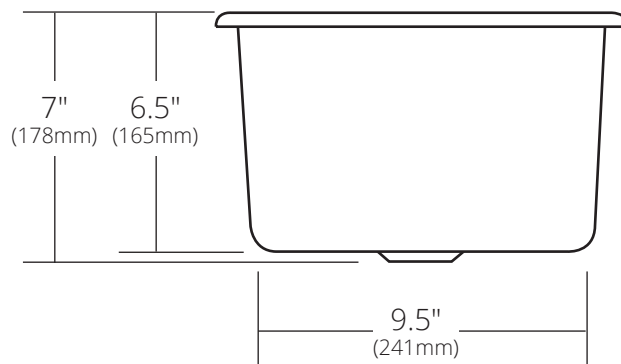
DIEGO



TOP VIEW



SIDE VIEW



CPS235 Antique
CPS535 Brushed Nickel

PRODUCT DETAILS

- 12.5" x 7" OD (318mm x 178mm)
- 11" x 6.5" ID (279mm x 165mm)
- Hand hammered 16 gauge recycled copper
- 2" (51mm) drain opening

INSTALLATION

- Drop-In or Undermount

COORDINATING PRODUCTS

- Drain: DR220

STANDARDS COMPLIANCE

- UPC/cUPC compliant

IMPORTANT

Due to the handcrafted nature of this product, it will vary in finish, texture, hammering, and other details. Dimensions may vary up to 1/4" (6mm). We strongly recommend waiting for the actual product before making any installation cuts.