

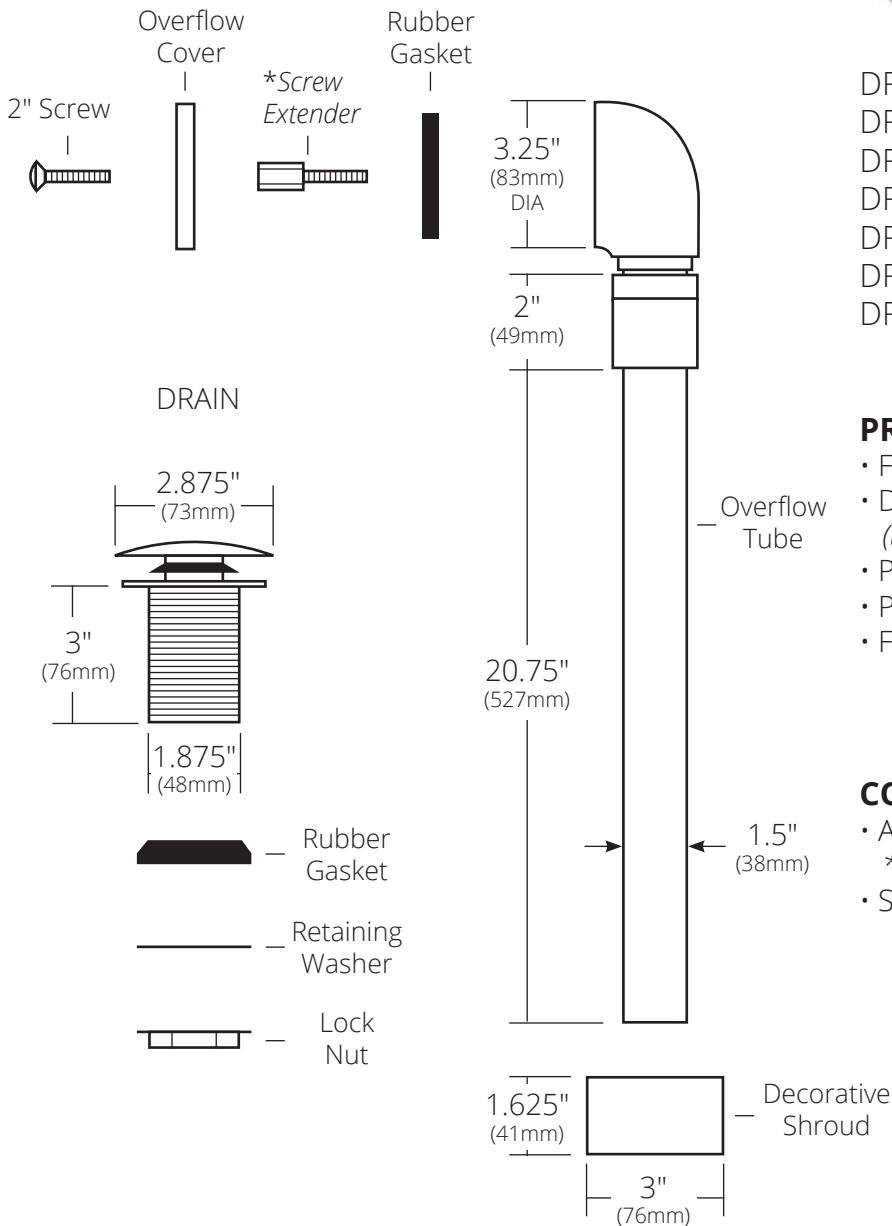
SPECIFICATIONS

PUSH TO SEAL BATH WASTE & OVERFLOW

Bathtub

OVERFLOW SIDE VIEW

Cover Assembly



- DR290-CH Chrome
- DR290-BN Brushed Nickel
- DR290-ORB Oil Rubbed Bronze
- DR290-PN Polished Nickel
- DR290-PC Polished Copper
- DR290-MB Matte Black
- DR290-BG Brushed Gold

PRODUCT DETAILS

- For use with sub-floor tub waste connections
- Drain & overflow perfect for thick walled tubs (*up to 3.5" thick*)
- Pivoting head ensures snug fit
- Push to seal drain
- Fully plated

COORDINATING PRODUCTS

- Avalon 72 and Avalon 62
- **Screw Extender for Avalon tubs only*
- Santorini