

### Tools Needed:

Phillips Head  
Screw Driver  
or Drill



Level



Pencil



7/16" Nut Driver  
or Ratchet



Measuring Tape



### Materials Included:

(2) Inner Channels

(2) 1/4" Nuts \*(use if needed)

(2) Outer Channels

(10) Sets of 3 1/2" Leveling  
Bolts and Caps

(10) 3/4" Wood Screws

(4) 1/4" dia. x 3/4" Bolts

(4) Hanger Plates

### \*Licensed Installer Recommended\*

1. Determine the best way to support your sink, either side-to-side or front-to-back.
2. Mount the hanger plates to the ends of the cabinet using the supplied screws, making the top of the hanger plate flush with the top of the cabinet. (See Figure 1)

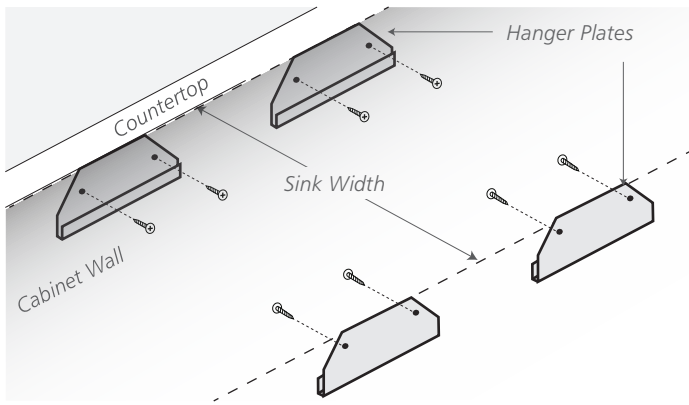


Figure 1

3. Slide two channel pieces together (one inside the other) and open them up to set tight against the walls of the cabinet. Place a 1/4" bolt at each end at the farthest point possible where the bolt goes through the top half and into the threaded lower channel. For the longest extensions, you may want to use one of the bolts with a nut through both slots in the pieces to leave room for the leveling bolt. (See Figure 2)

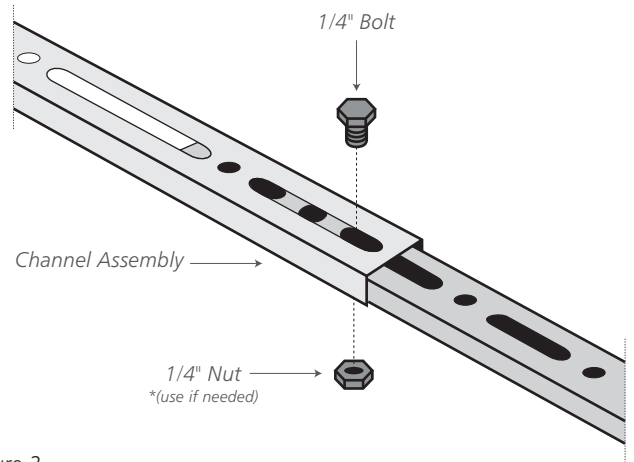


Figure 2

4. Thread the leveling bolts up through the holes in a pattern that will support the sink evenly. It works well to space the leveling bolts at 4" centers if possible. Raise the heights of the leveling bolts to approximately 1 1/2". (See Figure 3)
5. Repeat steps 3 and 4 for the other set of channels.
6. Taking the sink drain position into account, move the channels into the final proper position to best support your sink.

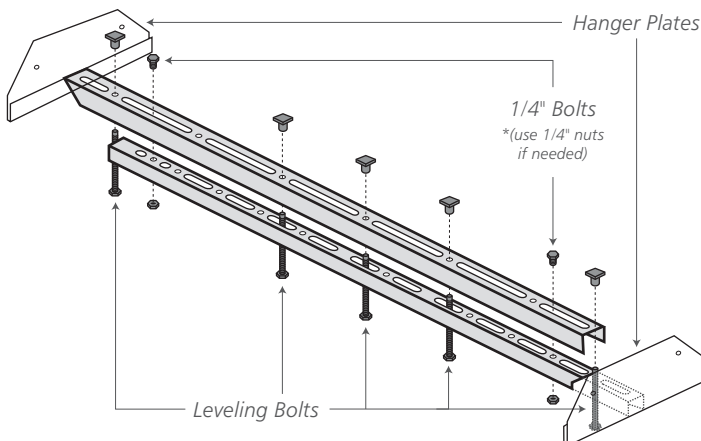


Figure 3

7. Place the metal leveling bolt caps on the tops of the leveling bolts. Then, using a level, make sure your leveling bolts are all at the same height. Place your sink on the raised leveling bolts.
8. Install your countertop (with the pre-cut sink opening) as desired.
9. Apply a line of silicone around the top of your sink.
10. Using a nut driver/ratchet raise your sink into position by raising the leveling bolts.
11. Check your sink for level to ensure proper drainage.

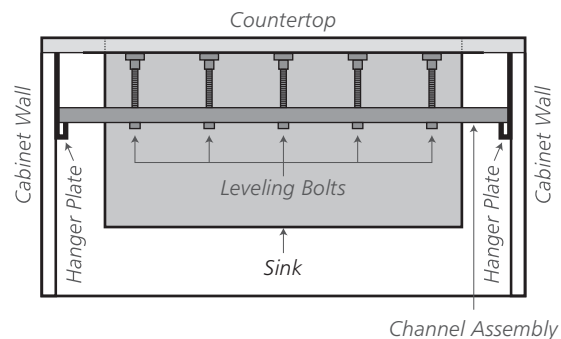


Figure 4

### Tools Needed:

Phillips Head  
Screw Driver  
or Drill



Level



Pencil



7/16" Nut Driver  
or Ratchet



Measuring Tape



### Materials Included:

(2) Inner Channels

(2) 1/4" Nuts \*(use if needed)

(2) Outer Channels

(10) Sets of 3 1/2" Leveling  
Bolts and Caps

(10) 3/4" Wood Screws

(4) 1/4" dia. x 3/4" Bolts

(4) Hanger Plates

### \*Licensed Installer Recommended\*

1. Determine the best way to support your sink, either side-to-side or front-to-back.
2. Measure the height of your sink to determine the location of the Hanger Plates.
3. In your cabinet, measure the height of your sink down from the top edge (either on the sides of the cabinet or the front and back depending on your installation type). Mark this line with a level. Install the hanger plates using the supplied screws making the top of the hanger plate flush with the line. (See Figure 1)

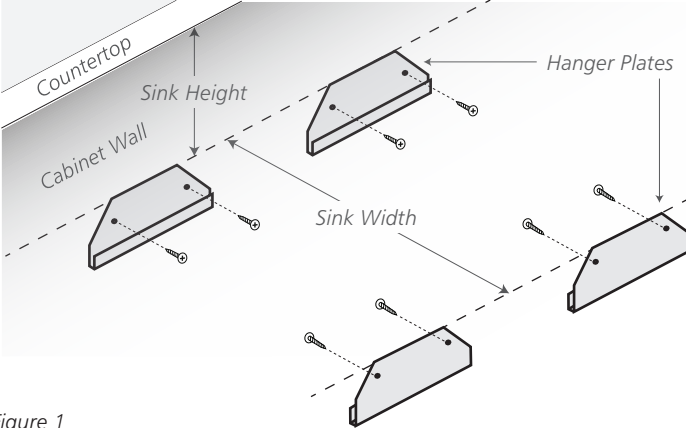


Figure 1

4. Slide two channel pieces together (one inside the other) and open them up to set tight against the walls of the cabinet. Place a 1/4" bolt at each end at the farthest point possible where the bolt goes through the top half and into the threaded lower channel. For the longest extensions, you may want to use one of the bolts with a nut through both slots in the pieces to leave room for the leveling bolt. (See Figure 2)

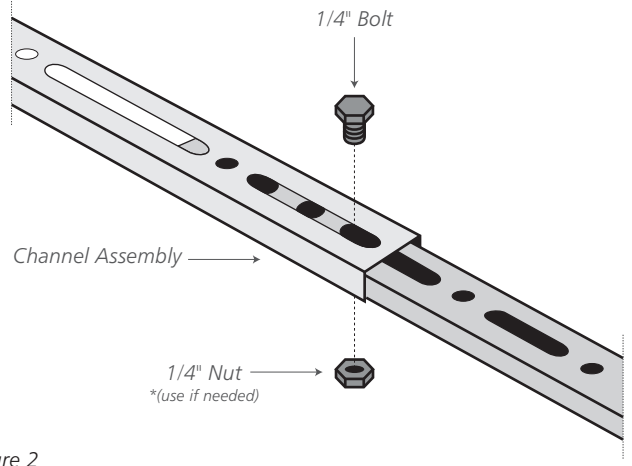


Figure 2

5. Thread the leveling bolts up through the holes in a pattern that will support the sink evenly. It works well to space the leveling bolts at 4" centers if possible. Raise the heights of the leveling bolts to approximately 1 1/2". (See Figure 3)
6. Repeat steps 4 and 5 for the other set of channels.
7. Taking the sink drain position into account, move the channels into the final proper position to best support your sink.

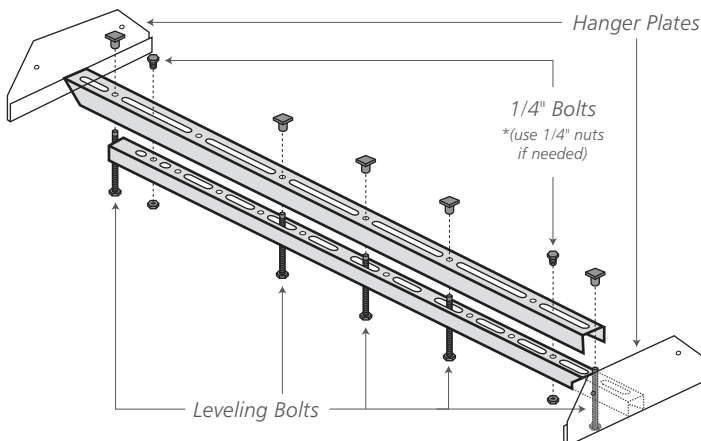


Figure 3

8. Place the metal leveling bolt caps on the tops of the leveling bolts. Then, using a level, make sure your leveling bolts are all at the same height. Place your sink on the raised leveling bolts.
9. Install your countertop (with the pre-cut sink opening) as desired.
10. Apply a line of silicone around the top of your sink.
11. Using a nut driver/ratchet raise your sink into position by raising the leveling bolts.
12. Check your sink for level to ensure proper drainage.

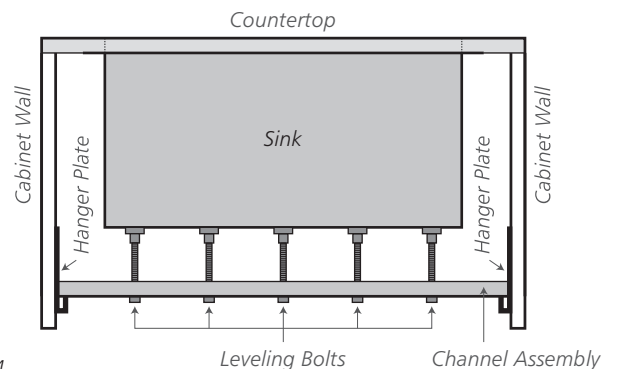


Figure 4