

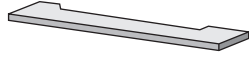
Installation Instructions

Solace Shelf *(accessory to Solace Mirror)*

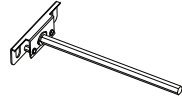
A.

Materials Included:

Solace Mirror Shelf



(2) Supporting Pins



(4) Screws



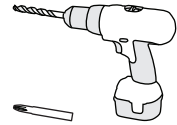
(4) Drywall Anchors



B.

Tools Needed:

Cordless Drill



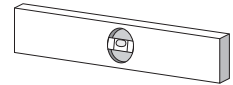
Philips Bit



Ruler



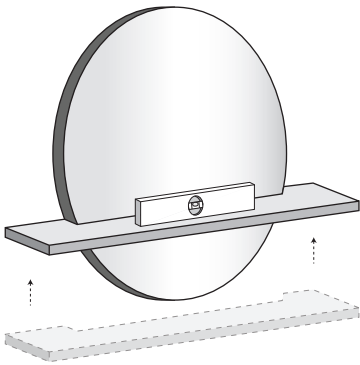
Level



Pencil

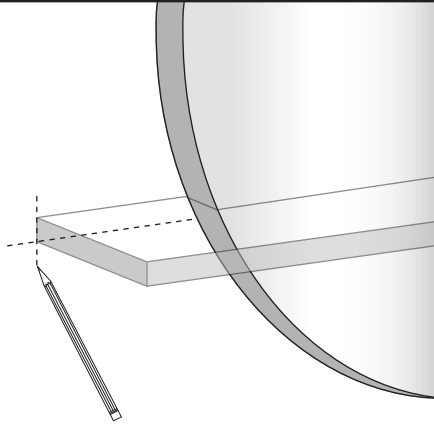


1.



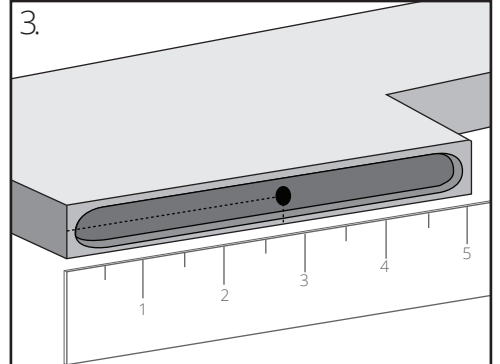
After installing mirror, place shelf against mirror as high as possible ensuring it is level.

2.



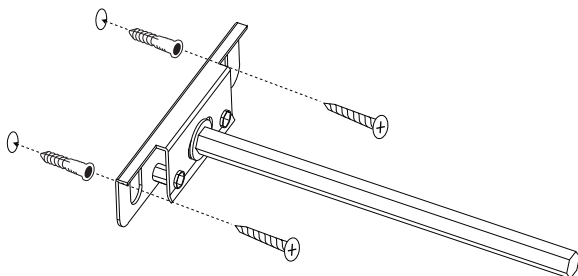
With a pencil, lightly outline shelf bottom and outer sides.

3.



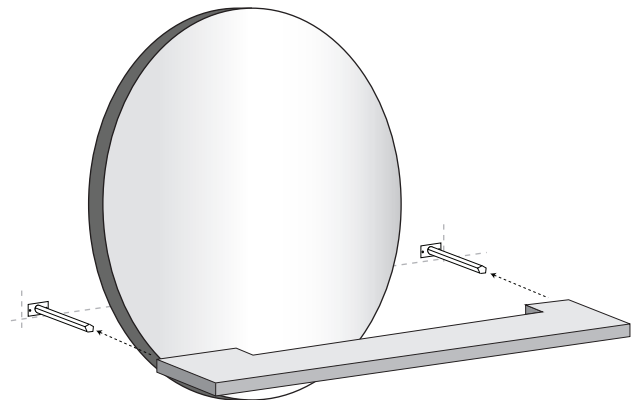
Measure distance from center hole to shelf bottom and outer edges. Mark location of holes on wall.

4.



Place mounting pin assembly on wall, and align center of plate with marked hole locations. Attach plate to wall using drywall anchors and screws.

5.



Slide pins into holes on shelf back. Use phillips bit to adjust pin assembly left to right, if required.