

General Instructions:

CAUTION: Risk of personal injury. Native Trails Wall Mounts are extremely heavy, obtain sufficient help when lifting or moving.

CAUTION: Risk of property damage. Make sure that watertight seals exist on all drain connections, and that flooring, walls, and adjacent cabinetry are adequately protected while installing.

- It is strongly recommended that Native Trails wall mount vanities are installed by a licensed contractor.
- Observe all local plumbing and building codes.
- Have a licensed contractor determine if the wall is strong enough to adequately hold the weight of a full wall mount and applicable accessories.
- Ensure proper access to the final plumbing connections.
- Place a protective covering on the floor to prevent damage, unpack and inspect the wall mount for any damage.
- For ADA compliance, the Napa Wall Mount Vanity must be installed in accordance with the requirements of ANSI/ICCA117.1 section 606.
- Napa brackets are required for installation on secure wooden studs.

Materials Recommended:

- 2 - Steel Brackets
- 8 - 5/16" x 2.5" Stainless Steel Lag Bolts

Tools Needed:

- | | | |
|-------------|----------------|----------------------------|
| Stud Finder | Measuring Tape | 3/16" Brad Point Drill Bit |
| 2 - Levels | Socket Wrench | Silicone |
| Drill | Pencil | |

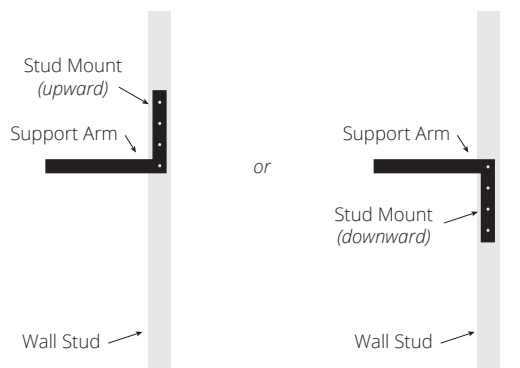
Overview: The Napas have two channel slots on each side in the back to allow it to slide onto the brackets. The *Inner-to-Inner* measurement is the distance between these two slots.

Each bracket has two parts:

- Support Arm: Where the vanity rests.
- Stud Mount: Attaches to the wall. Can be oriented upward or downward.

Important: Brackets must be installed directly into secure wood studs. They must be level both individually and in relation to each other.

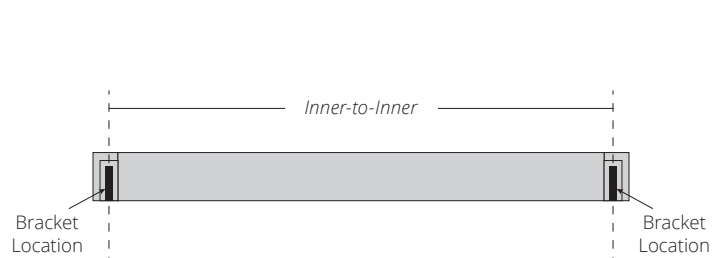
Figure 1 - Stud Side View



1. Find Bracket Placement (Left & Right): Find your *Inner-to-Inner* measurement based on the drawing below. Mark on the wall where your brackets will go lining up with the channel slots.

If no studs exist in the correct locations, you'll need to add blocking or double up on existing framework.

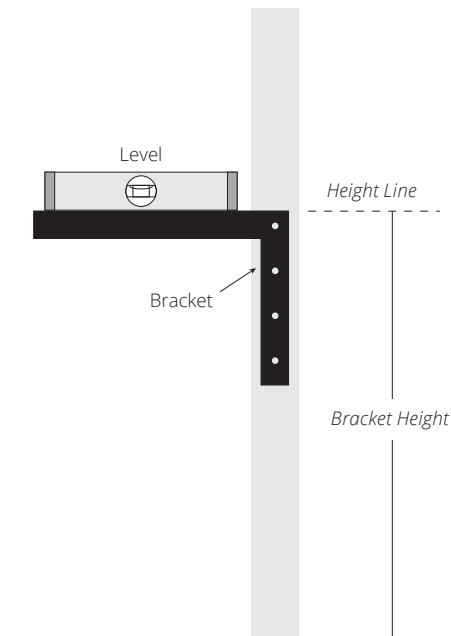
Figure 2 - Napa Back View



2. Measure Bracket Height: (Please note height guidelines if hanging per ADU specifications) From the floor, measure upward to the appropriate *Bracket Height*. Mark a vertical stud at this point. Use a level to draw a horizontal line at this height across both studs—this is your *Height Line*.

3. Position the First Bracket: Align the top of the bracket's support arm with the *Height Line* on the stud. Use your level to make sure the bracket is flat and not tilted.

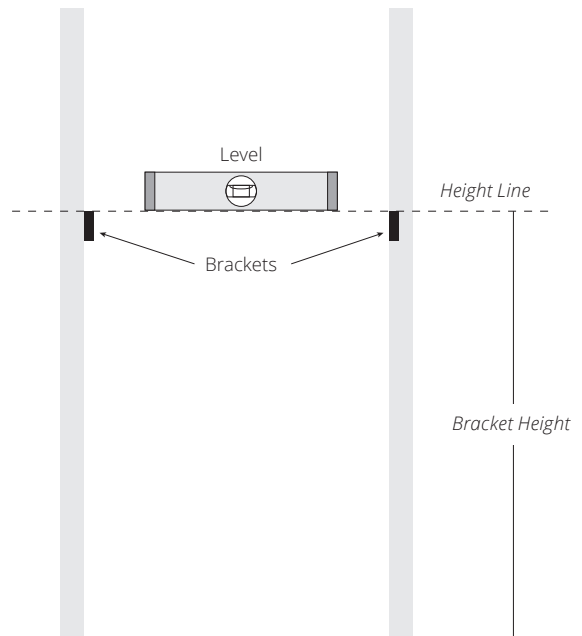
Figure 3 - Stud Side View



4. Drill Pilot Holes & Fasten: Drill the 3/16" pilot holes, then drive in the lag bolts using a socket wrench.

5. Position Second Bracket: Align the second bracket on the opposite side, matching the height of the first one, confirm levelness with your level and then repeat the same drilling and fastening as the first bracket to secure the second bracket.

Figure 4 - Stud Front View



6. Test Fit the Vanity: Slide the Napa Wall Mount onto the brackets through the left and right channel slots, ensure that it sits flat and level.

With the Napa still sitting on the brackets drill a pilot hole/s through the back of the Napa into the stud/s. Once confirmed to your satisfaction, remove the wall mount and complete any wall covering work that may be needed (drywall repair, tile, etc), be sure to leave the pilot hole/s just drilled accessible.

7. Final Installation: Once the wall is ready, apply silicone to the top of each bracket and reinstall the Napa Wall Mount onto the brackets through the channel slots.

Screw the Napa Wall Mount into the stud or studs through the predrilled pilot holes from Step 7 with 3" Wood Screws. Finally connect your plumbing and install your NativeStone Trough sink according to the installation instructions. Additionally consider using silicone to seal the space connecting the sink and vanity to the wall to create a seamless watertight seal.

When cleaning up after installations, DO NOT USE ABRASIVE CLEANERS, as they may scratch and change the sink surface. Use warm water, a soft cloth and a non-abrasive soap to clean the surface. Refer to the Care and Maintenance Instructions for more information.