

**General Instructions:**

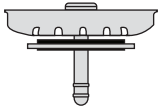
- We strongly recommend this product be installed by a professional installer.
- Disassemble and account for all pieces shown in "Parts Included" section.
- Drain intended to be used in sink without overflow

**Materials Recommended:**

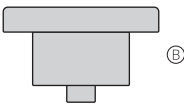
- 100% Silicone  
*(non-water based)*
- Large Flathead Screwdriver  
*(optional)*

**Parts Included:**

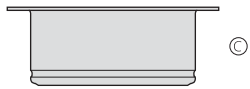
Strainer Basket



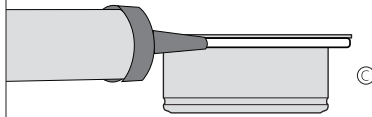
Basket Stopper (B)



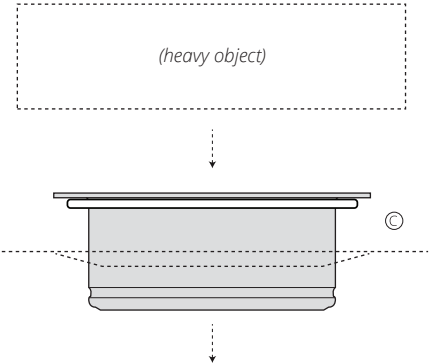
Sink Disposer Flange (C)



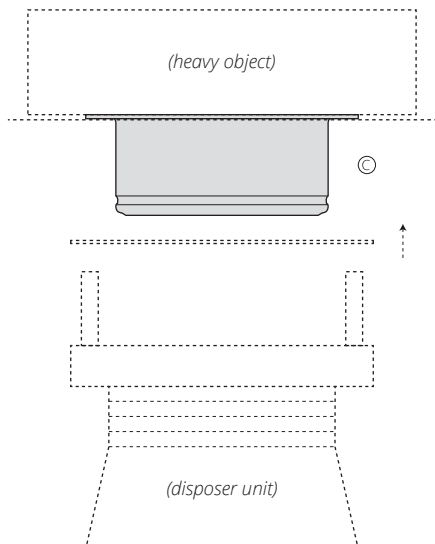
1. Clean and remove any loose debris from the drain hole located in the bottom of your sink.
2. Apply a bead of 100% silicone evenly around the underside of the flange of the Sink Disposer Flange (C).



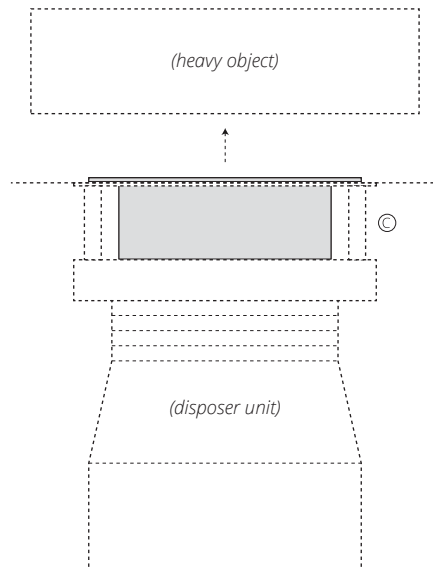
3. Insert the Sink Disposer Flange (C) into the sink drain hole, ensuring that the silicone makes full contact with the sink, and the Sink Disposer Flange (C) is centered.
4. Wipe away excess silicone and weigh the flange down with the old disposer unit or similar heavy object.



5. From under the sink, install the disposer's mounting ring assembly to the Sink Disposer Flange (C).
6. Attach your disposer unit per the manufacturer's installation instructions.



7. Remove the weight from the sink and recheck the silicone for a proper even seal.
8. Wipe away any remaining silicone around the drain area, allow to dry and then check for leaks.



9. Insert the Basket Stopper (B) followed by the Strainer Basket (A) into the Sink Disposer Flange (C).

