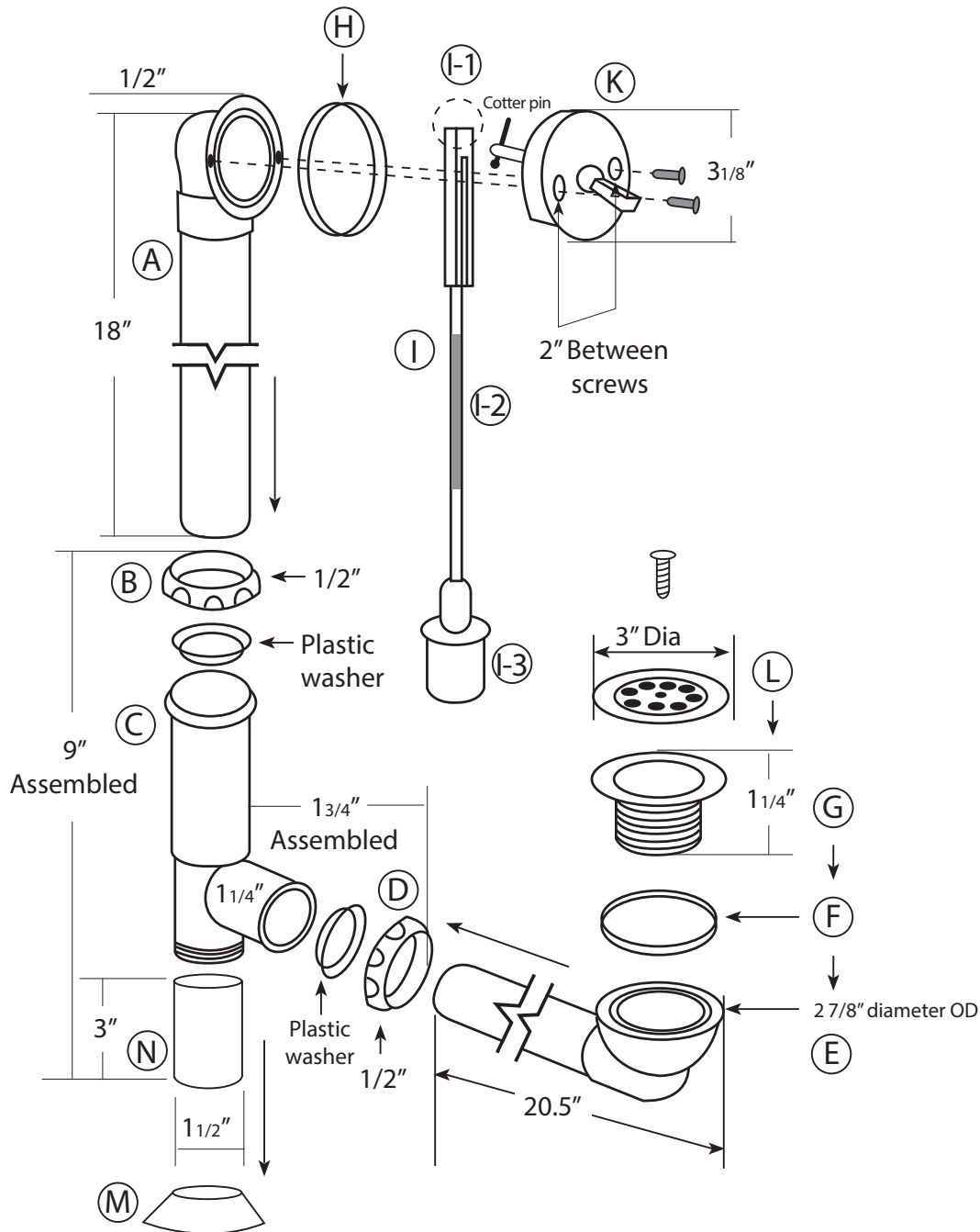


INSTALLATION INSTRUCTIONS

DR300 - Trip lever bath waste & overflow



1. To connect plunger assembly (I) to face plate (K) attach top of plunger lever (I-1) to the backside of the overflow face plate (K) with cotter pin, adjust linkage (I-2) to appropriate length.

2. Cut overflow tube (A) to the appropriate length*, insert overflow tube (A) into tee (C), tighten slip nut (B).

3. Cut waste shoe (E) to the appropriate length*, insert waste shoe (E) from the underside of tub into hole facing tub's outside, then into tee (C) as shown in sketch, tighten slip nut (D).

4. To connect the tube assembly to the bathtub set rubber washer (F) onto waste shoe (E) and insert from underneath the tub into the drain hole.

5. Apply a small amount of 100% Silicone (non-water based) around the underside of waste plug rim (G). Hold waste shoe (E) in place and thread waste plug (G) from the inside of the tub into it. Do not tighten completely yet.

6. To connect tube to overflow put rubber gasket (H) onto overflow tube (A) and align with the overflow hole of the tub by inserting overflow assembly in between tub walls and holding in place.

7. From the inside of the tub insert plunger assembly (I) through the overflow hole, plunger (I-3) first, into tube.

8. Now insert screws through face plate (K) into mounting holes on the overflow Tube (A). Thread screws, but do not tighten yet.

9. To finish drain assembly tighten waste plug (G) onto waste shoe (E) with a P.O. plug wrench. Make sure all screws are tight and slip nuts are hand tight.

10. Thread tail piece (N) into tee (C), slip escutcheon (M) onto tail piece (N). Align tub with trap (not included) and connect to sewage line.

11. Remove any excess silicone, and screw (L) strainer into waste plug (G).

Warning: Risk of property damage. Do not reposition waste shoe (E) after it has been tightened completely. Moving may damage the seal created during tightening, increasing the risk of leaking.

* We recommend drain to be installed and cut to the appropriate length by a professional installer.