

General Instructions:

- We strongly recommend that the tub waste and overflow be installed by a professional installer. These instructions do not detail the necessary connections needed to connect the overflow tub and bathtub waste. Those connections will need to be made by the installer.
- Disassemble and account for all pieces shown in "Parts Included" section.
- Screw Extender (N) is used for Avalon, Mendocino, or double walled tubs only.
- Position the tub's location so the overflow and drain holes are aligned with the proper connections from the floor.

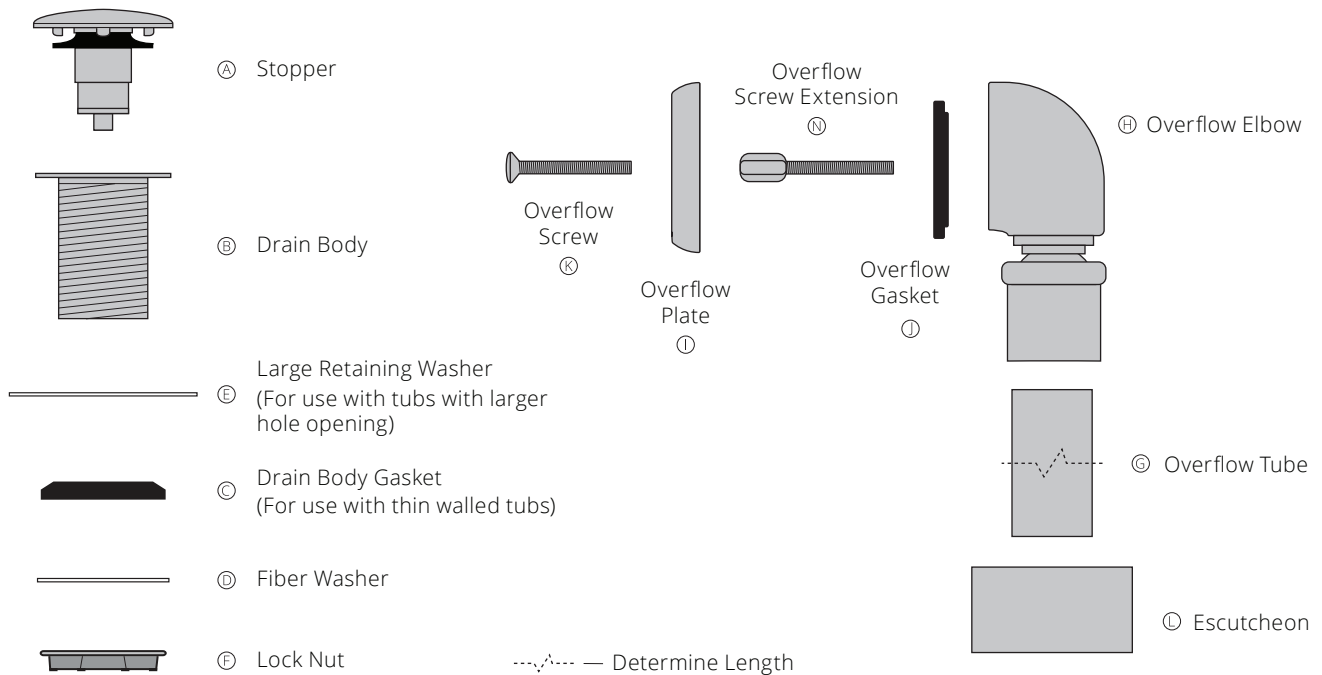
Materials Recommended:

100% Silicone
(non-water based)

Phillips Head Screwdriver

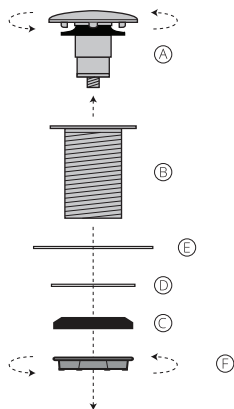
P.O. Plug Wrench or similar device
(optional)

Parts Included:

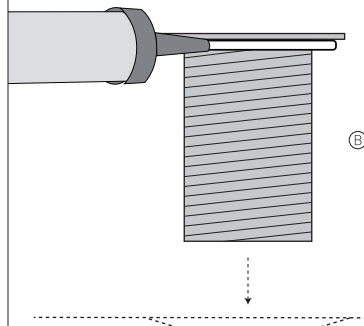


DRAIN INSTALL

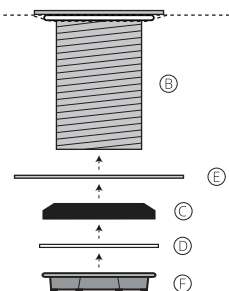
1. Clean and remove any loose debris located in and around the tub's drain hole.
2. Remove the Stopper (A), Lock Nut (F), Washers (D/E), and the Drain Body Gasket (C) from the Drain Body (B).



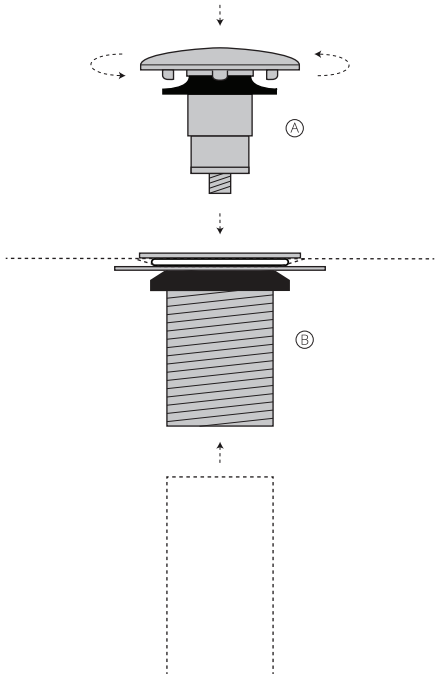
3. Apply a bead of 100% silicone gel evenly around the underside of the flange of the Drain Body (B).
4. Insert the Drain Body (B) into tub drain hole, ensuring that the silicone on the flange makes contact with the tub.



5. Depending on the size of the tub drain hole, the Large Retaining Washer (E) may be necessary between the tub and additional drain components.
6. If installing in a thin walled tub, from underneath slide the Drain Body Gasket (C) onto the Drain Body (B) upward until it makes contact with the underside of the tub or Large Retaining Washer (E) if using.
7. Slide the Fiber Washer (D) and Lock Nut (F) onto the Drain Body (B) and secure into place but take caution not to over tighten.

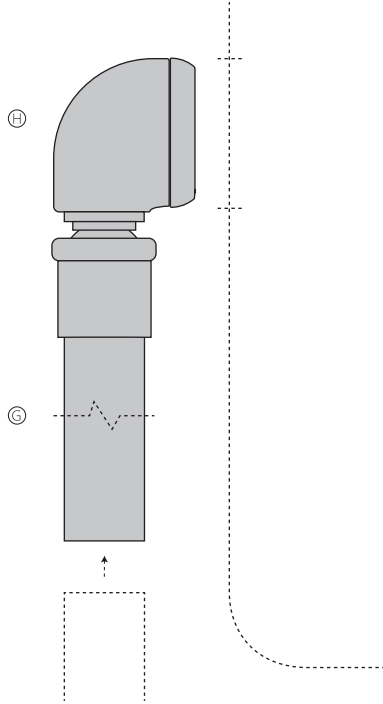


8. Link your corresponding plumbing system to the Drain Body (B).
9. Wipe excess silicone away from the drain area, once dry check for leaks.
10. Insert the Stopper (A) into the Drain Body (B) and test for function.

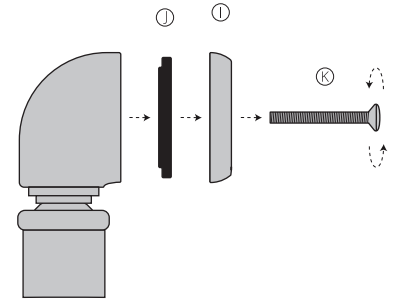


OVERFLOW INSTALL

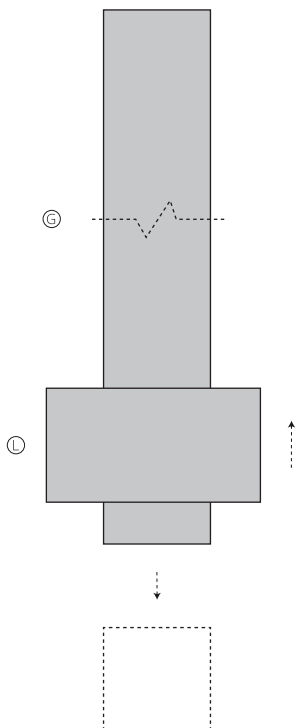
1. Align the Overflow Elbow (H) to the overflow hole in your tub.
2. Determine the appropriate tube length required for your Overflow Tube (G) to adequately attach to the drain connection in the floor while still fitting to the overflow hole in the tub.



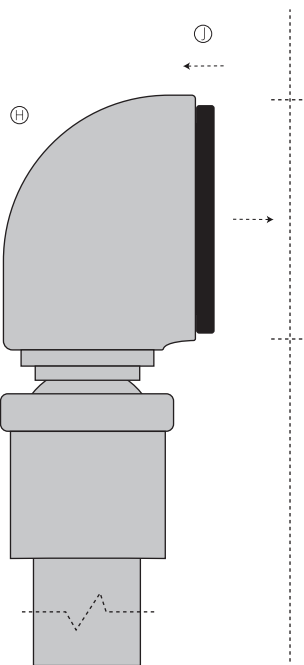
3. If necessary, trim the Overflow Tube (G) or extend your plumbing to the pre-determined length required for the proper connection of the Overflow Tube (G) to the tub.
4. Unscrew the Overflow Plate (I), and then remove the Overflow Gasket (J).



5. Slide the Escutcheon (L) onto and up the Overflow Tube (G) facing down.
6. Install the Overflow Tube (G) into the exposed plumbing in the floor.



7. Place the Overflow Gasket (J) onto the face of the Overflow Elbow (H).
8. Align the Overflow Elbow (H) with overflow hole ensuring the Overflow Gasket (J) is seated in the Elbow and pressed against the wall of the tub exterior encircling the overflow hole.



9. Screw Overflow Screw (K) into the Overflow Plate (I) into the Overflow Elbow (H) until it firmly stops. Do not over tighten.
10. Once gaps in the floor have been closed or limited, slide the Escutcheon (L) down the Overflow Tube (G) to cover any gaps between the plumbing and the floor.

