

**General Instructions:**

- We strongly recommend this product be installed by a professional installer.
- Disassemble and account for all pieces shown in "Parts Included" section.
- Position the tub's location so the overflow and drain holes are aligned with the proper connections from the floor.
- **Warning:** Risk of property damage. Do not reposition Overflow Head or Waste Shoe after it has been tightened completely. Moving pieces out of alignment may damage the seals created during tightening and increase the risk of leaking.

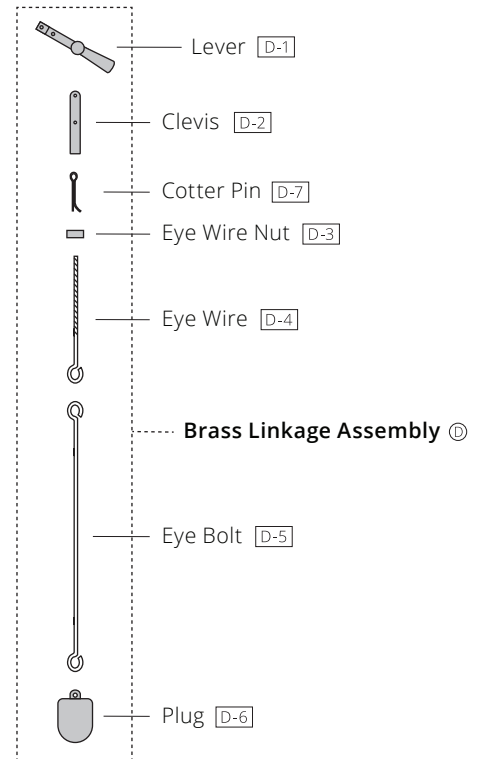
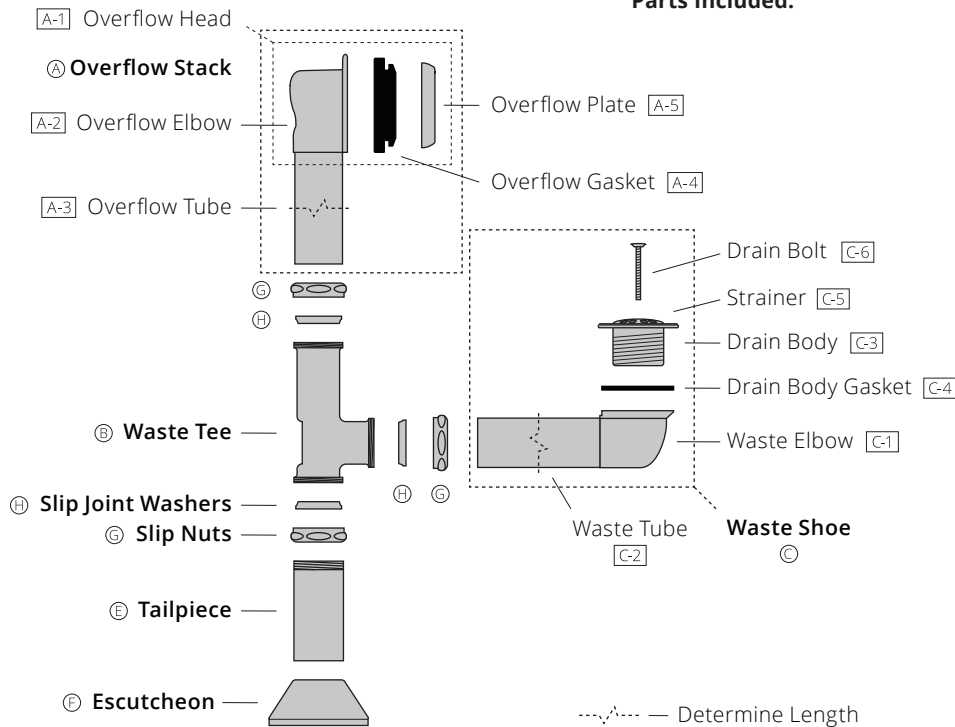
**Materials Recommended:**

100% Silicone  
(non-water based)

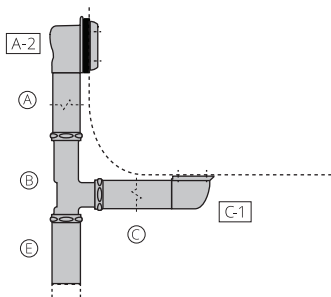
Phillips Head Screwdriver

P.O. Plug Wrench or similar device  
(optional)

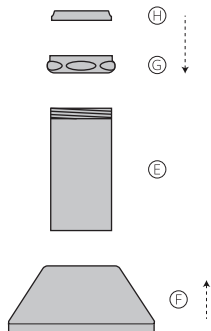
**Parts Included:**



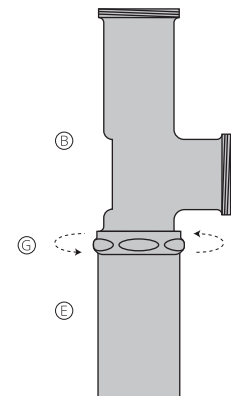
1. Clean and remove any loose debris located in and around the tub's drain and overflow holes.
2. With the Waste Shoe (C), Overflow Stack (A), and Tailpiece (E) attached to the Waste Tee (B), position the Waste Tee (B) in its initial location for connecting the Tailpiece (E) to your exposed waste outlet in the floor. Determine if the Waste Tee (B) is at the necessary height for connecting the Waste Elbow (C-1) and Overflow Elbow (A-2) to your tub's corresponding holes. An extension of your waste drain or trimming the Tailpiece (E) may be necessary for proper height alignment.



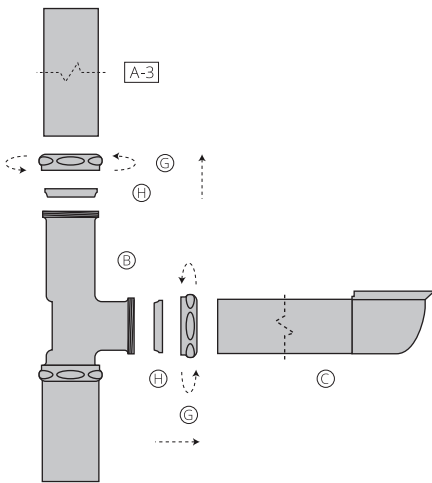
3. Remove the Waste Shoe (C), Overflow Stack (A), and Tailpiece (E) from the Waste Tee (B).
4. Slide the Escutcheon (F) facing down onto the non-threaded end of the Tailpiece (E).
5. Slide the Slip Nut (G) and then the Slip Joint Washer (H) facing upward onto the threaded end of the Tailpiece



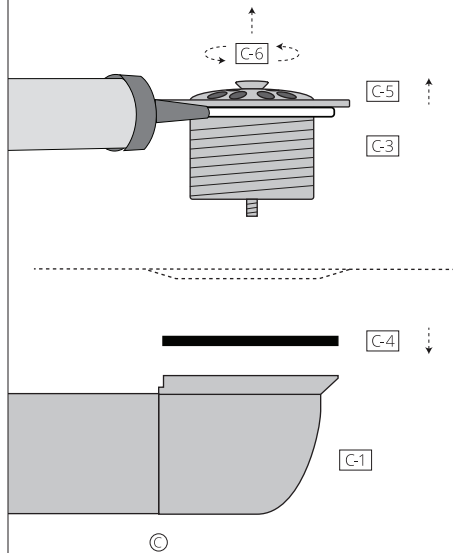
6. Fit the Waste Tee (B) to the Tailpiece (E) by connecting them together at the short end of the Tee. Move the Slip Nut (G) with the Slip Joint Washer (H) upward and lightly screw into the Waste Tee (B) allowing for a loose fit.



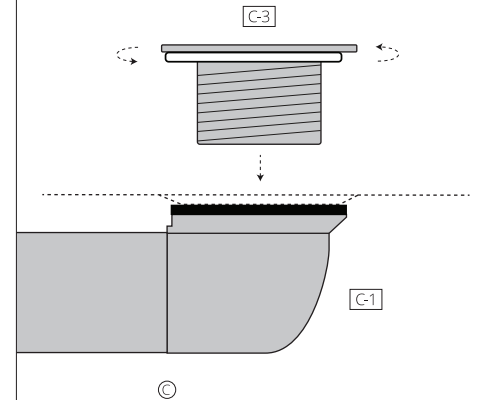
- Slide the Slip Joint Washer (H) and Slip Nut (G) onto the Overflow Tube (A-3) facing downward, then insert the Overflow Tube (A-3) into the Waste Tee (B) and lightly screw the Slip Nut (G) into place allowing a loose fit.
- Slide the Slip Joint Washer (H) and the Slip Nut (G) onto the Waste Shoe (C) then insert the Waste Shoe (C) into the Waste Tee (B). Lightly screw the Slip Nut (G) to the Waste Tee (B) allowing for some loose play.



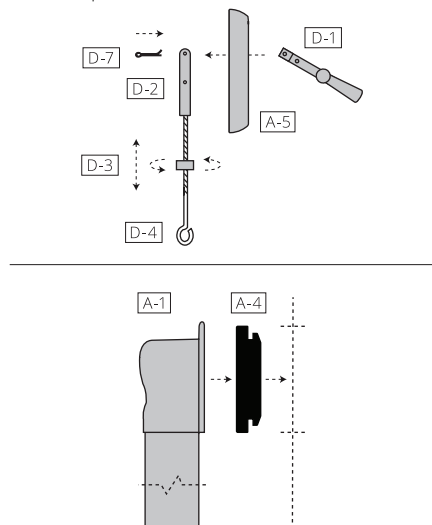
- Set the Drain Body Gasket (C-4) onto the Waste Elbow (C-1) then align the Waste Shoe (C) with the tub's drain hole.
- Unscrew and remove the Drain Bolt (C-6) and the Strainer (C-5) from the Drain Body (C-3).
- Apply a bead of 100% silicone evenly around the underside of the flange of the Drain Body (C-3).



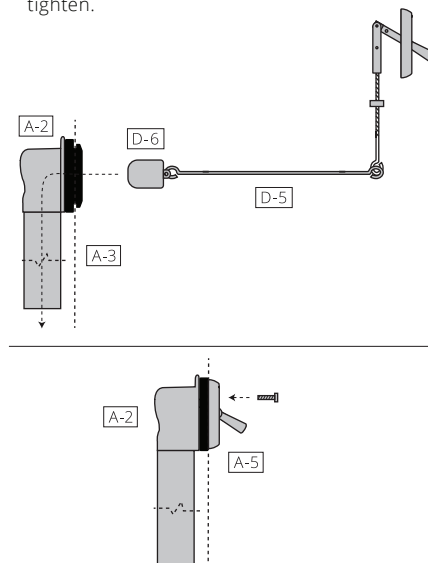
- Hold the Waste Shoe (C) in place and thread the Drain Body (C-3) from inside the tub through the drain hole and into the Waste Elbow (C-1). A P.O. Plug Wrench or similar device may be required to adequately turn the Drain Body (C-3) far enough into the threads of the Waste Elbow (C-1). Screw securely into place but avoid over tightening. Wipe away any excess silicone.



- Connect the Brass Linkage Assembly (D) to the Overflow Plate (A-5), by first attaching the end of the Lever (D-1) to the Clevis (D-2) using the Cotter Pin (D-7). Adjust linkage to appropriate length by increasing or decreasing the threading of the Eye Wire (D-4) onto the Eye Wire Nut (D-3) after it is inserted between the prongs of the Clevis (D-2).
- Align the Overflow Head (A-1) with the overflow hole ensuring the Overflow Gasket (A-4) is seated in the Elbow and pressed against the wall of the tub exterior encircling the overflow hole. Hold the Overflow Head (A-1) in place.



- From the inside of the tub insert the Plug (D-6) of the Brass Linkage Assembly (D) connected to Eye Bolt (D-5) through the tub's overflow hole and into the exposed Overflow Elbow's (A-2) hole. After lowering the Plug (D-6) through the Overflow Tube (A-3) the Overflow Plate (A-5) should now be aligned for installing the screws.
- Insert the supplied screws through the Overflow Plate (A-5) and into the threaded screw holes on the Overflow Elbow (A-2). Thread the screws securely, but do not over tighten.



- Check and test the Overflow Plate's (A-5) Lever (D-1) for function. It should move with an affirmative toggle between up and down.
- Return to the Slip Nuts (G) located on the Waste-Tee (B) and firmly secure them by hand. Do not over tighten.
- After silicone is dry, align the Drain Bolt (C-6) through the Strainer (C-5) and then into the Waste Drain Body (C-3). Screw into place. (CAUTION: Do not over tighten the Drain Bolt (C-6) retaining the Strainer (C-5). Warping of the Strainer (C-5) can occur if over tightened.)
- Allow silicone to dry and then check for leaks.

