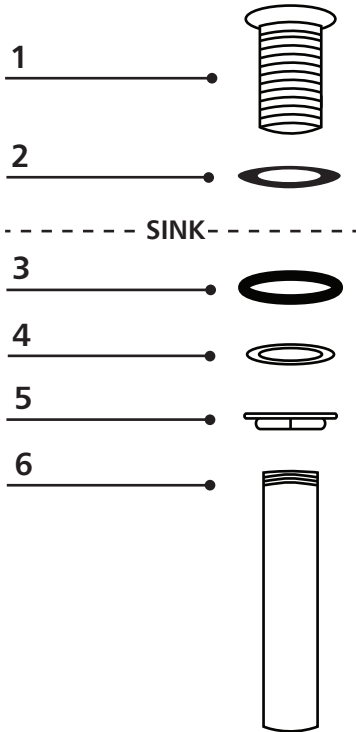


INSTALLATION INSTRUCTIONS

1.5" Tear Drop Drain, DR150



1. Separate all mounting hardware as shown.
2. Apply 100% Silicone (non-water based) to underside of Flange (1) or use Rubber Washer (2) (recommended if installing glass sink) in place of silicone. Place the Flange (1) directly into drain opening of the sink.
3. From underneath the sink slide the Rubber Gasket (3), the Retaining Washer (4), and the Lock Nut (5) onto the Flange (1) and tighten into position, do not overtighten.
4. Wrap the threads on the Tailpipe (6) with Teflon Tape.
5. Install Tailpipe (6) into the bottom of Flange (1)

Remove all excess silicone around the drain after the drain has been installed