

SPECIFICATIONS

FARMHOUSE 3018

NativeStone™ Collection



NSK3018-A Ash
NSK3018-S Slate
NSK3018-P Pearl

PRODUCT DETAILS

- 30" x 18" x 10.25" OD (762mm x 457mm x 260mm)
- 27.5" x 15.5" x 9.25" ID (699mm x 394mm x 235mm)
- 3.5" (89mm) drain opening
- Handcrafted from sustainable NativeStone™
- Sealed with impermeable nano sealer

INSTALLATION

- Undermount
- Apron-front and concealed apron

COORDINATING PRODUCTS

- Drains: DR320 or DR340
- Bottom Grid: GR2614
- NativeStone Sealer®

STANDARDS COMPLIANCE

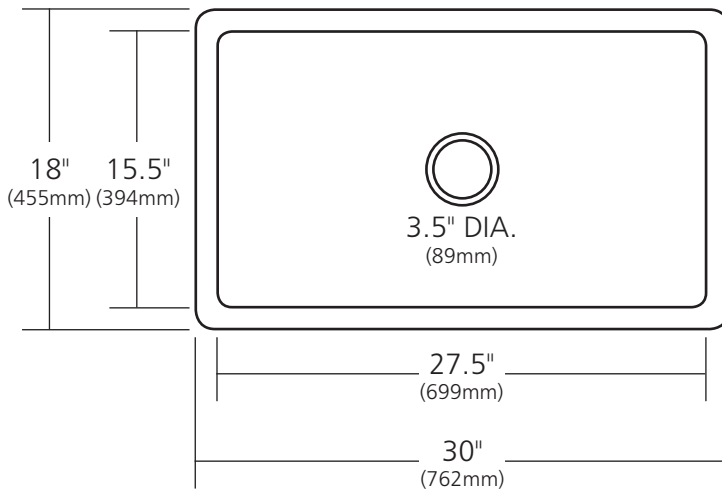
- UPC/cUPC compliant

IMPORTANT

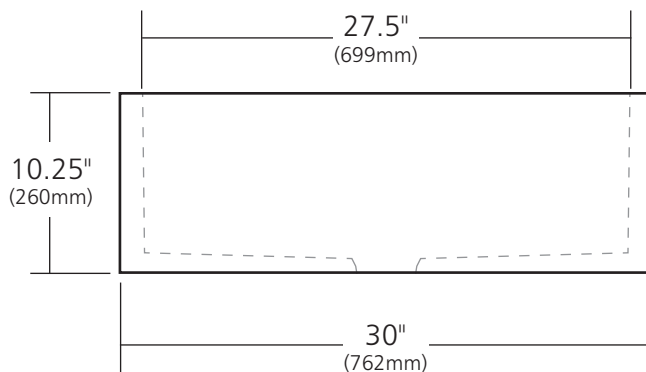
Do NOT use tape or other adhesives on NativeStone® as it may remove the sealer.

Due to the handcrafted nature of this product, it will vary in finish, texture, and other details. Dimensions may vary up to 1/2" (13mm). We strongly recommend waiting for the actual product before making any installation cuts.

TOP VIEW



FRONT VIEW



SIDE VIEW

