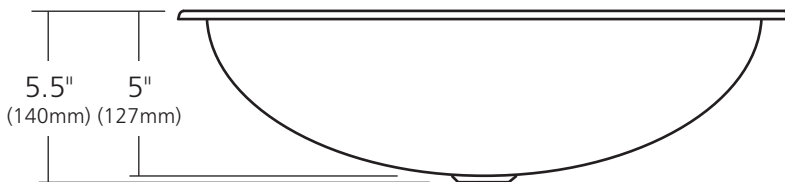
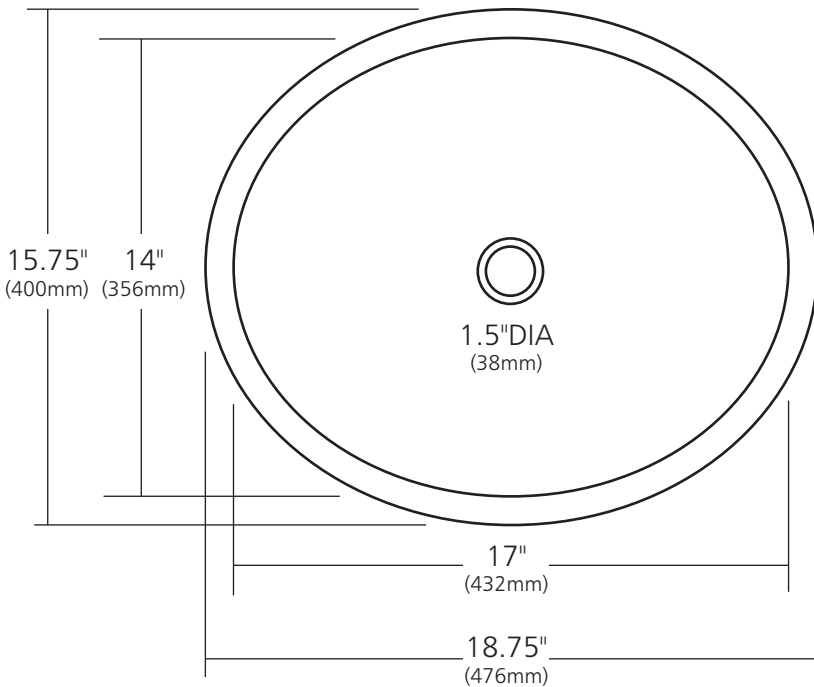


SPECIFICATIONS

**CALABASH**



CPS267- Antique  
CPS567- Brushed Nickel

**PRODUCT DETAILS**

- 18.75" x 15.75" x 5.5" OD (476mm x 400mm x 140mm)
- 17" x 14" x 5" ID (432mm x 356mm x 127mm)
- Hand hammered 18 gauge recycled copper
- 1.5" (38mm) drain opening
- Dimensions are not exact and may vary  $\pm 1/2"$  (13mm)

*This product may be customized.  
See [nativetrails.net/customization](http://nativetrails.net/customization) for details.*

**INSTALLATION**

- Universal Mount

**COORDINATING PRODUCTS**

- Drains : DR120, DR130, DR150 or DR160
- MetalProtect™

**STANDARDS COMPLIANCE**

- UPC/cUPC compliant
- **ADA**  **COMPLIANT**

**IMPORTANT**

Due to the handcrafted nature of this product, it will vary in finish, texture, hammering, and other details. Dimensions may vary up to 1/2" (13mm). We strongly recommend waiting for the actual product before making any installation cuts.