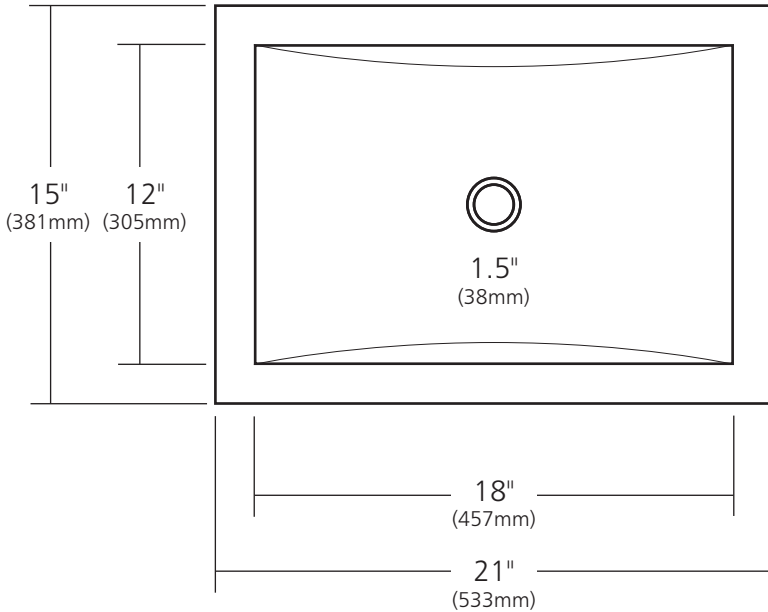


SPECIFICATIONS

AVILA



- CPS245- Antique
- CPS545- Brushed Nickel
- CPS445- Polished Copper
- CPS845- Polished Nickel

PRODUCT DETAILS

- 21" x 15" x 4.5" OD (533mm x 381mm x 114mm)
- 18" x 12" x 4" ID (457mm x 305mm x 102mm)
- Hand hammered 16 gauge recycled copper
- 1.5" (38mm) drain opening
- Dimensions are not exact and may vary $\pm 1/2"$ (13mm)

*This product may be customized.
See nativetrails.net/customization for details*

INSTALLATION

- Undermount

COORDINATING PRODUCTS

- Drains : DR120, DR130, DR150 or DR160
- MetalProtect™

STANDARDS COMPLIANCE

- UPC/cUPC compliant
- **ADA**  **COMPLIANT**

IMPORTANT

Due to the handcrafted nature of this product, it will vary in finish, texture, hammering, and other details. Dimensions may vary up to 1/2" (13mm). We strongly recommend waiting for the actual product before making any installation cuts.

