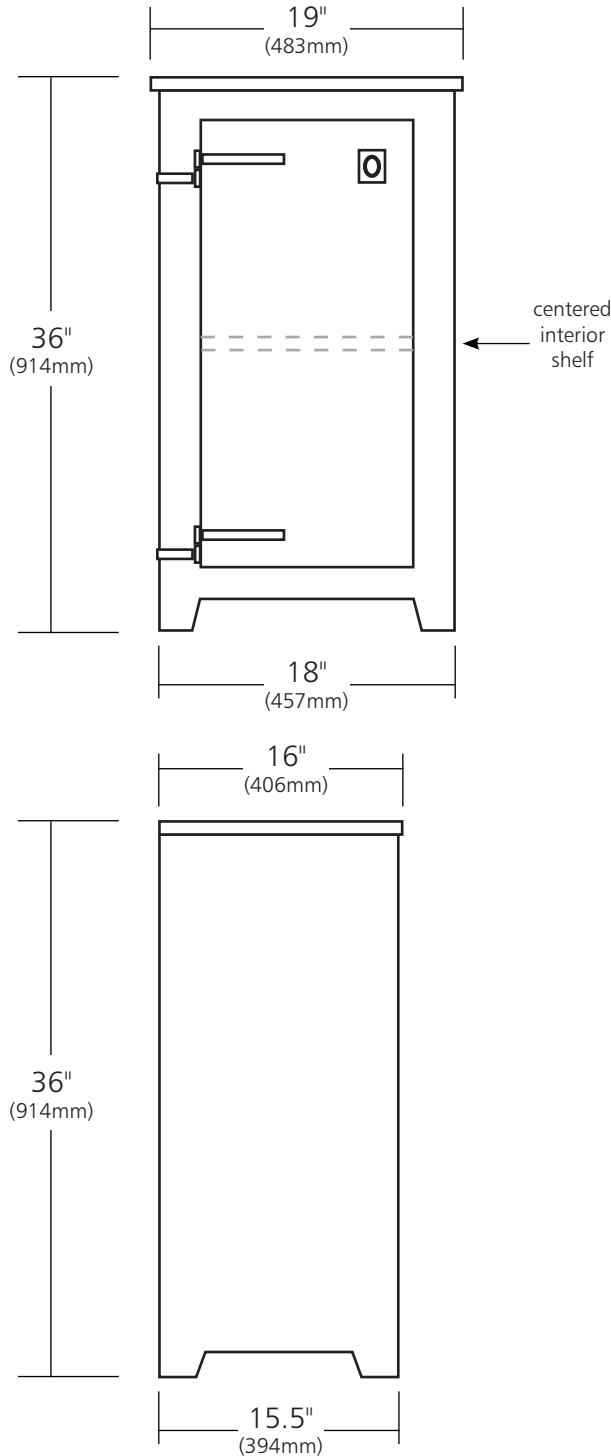


SPECIFICATIONS

AMERICANA CABINET

Americana Collection



- VNB191 - Chestnut
- VNB190 - Whitewash
- VNB198 - Anvil
- VNB199 - Driftwood

PRODUCT DETAILS

- 19"w x 16"d x 36"h (485mm x 405mm x 914mm)
- Handcrafted by American artisans from reclaimed wood
- Hand forged iron hinges and pulls
- Hand rubbed finish

INSTALLATION

- Freestanding vanity base

COORDINATING PRODUCTS

- Americana Mirror, Hutch, Cubby and Vanity

IMPORTANT

Due to the handcrafted nature of this product, it will vary in finish, texture, and other details. Dimensions may vary up to 1/2" (13mm).