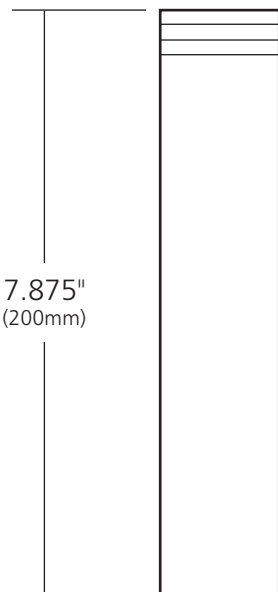
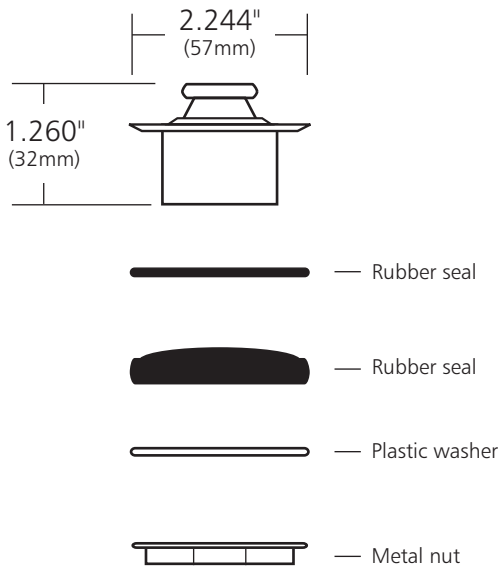


SPECIFICATIONS

1.5" LIFT & TURN DRAIN

Lavatory



- DR160-BN Brushed Nickel
- DR160-CH Chrome
- DR160-PN Polished Nickel
- DR160-ORB Oil Rubbed Bronze
- DR160-WC Weathered Copper

PRODUCT DETAILS

- Fits 1.5" (38mm) drain opening
- Maximum threading for easy installation
- Features a forged brass nut and heavy 17 gauge tube
- All exposed parts are plated
- Overall length when assembled is 8.75" (222mm)
- Designed for lavatory sinks without overflow
- UPC/cUPC compliant

COORDINATING PRODUCTS

- Lavatory basin with 1.5" (38mm) drain opening