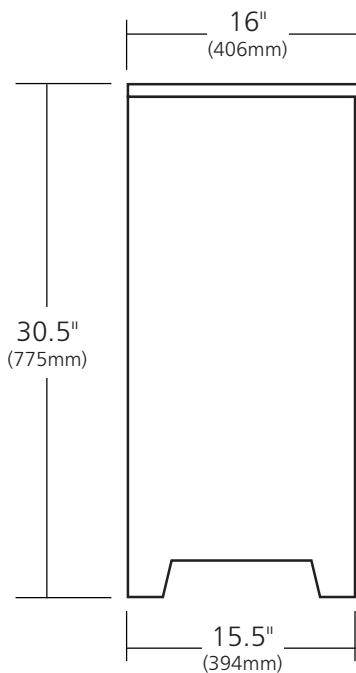
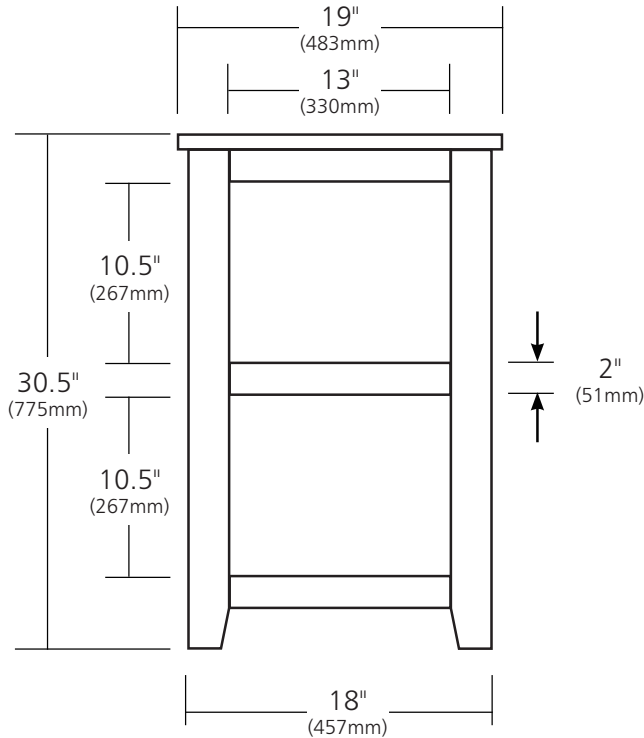


*SPECIFICATIONS*

**AMERICANA CUBBY**

*Americana Collection*



- VNB161 - Chestnut
- VNB160 - Whitewash
- VNB168 - Anvil
- VNB169 - Driftwood

**PRODUCT DETAILS**

- \* 19"w x 16"d x 30.5"h (483mm x 406mm x 775mm)
- \* Handcrafted by American artisans from reclaimed wood
- \* Hand rubbed finish

**INSTALLATION**

- \* Freestanding vanity base

**COORDINATING PRODUCTS**

- \* Americana Mirror, Hutch, Cabinet and Vanity

**IMPORTANT**

Due to the handcrafted nature of this product, it will vary in finish, texture, and other details. Dimensions may vary up to 1/2" (13mm).